

# Qilive



## Vacuum Cleaner Animal Kit Q.5660

- FR** Kit aspirateur pour poils d'animaux
- ES** Kit de aspiradora Animal
- PT** Conjunto para aspiração de pelos de animais
- PL** Odkurzacz z zestawem do sprzątania sierści zwierząt
- HU** Porszívó készlet állatszőrhez
- RO** Kit de animale pentru aspirator
- RU** Набор принадлежностей пылесоса для ухода за животными
- UA** Пилосос із комплектом для прибирання шерсті тварин

<b>EN</b>	<b>User manual</b>	P. 4
<b>FR</b>	<b>Manuel d'utilisation</b>	P. 16
<b>ES</b>	<b>Manual del usuario</b>	P. 29
<b>PT</b>	<b>Manual do utilizador</b>	P. 42
<b>PL</b>	<b>Instrukcja użytkownika</b>	S. 55
<b>HU</b>	<b>Használati útmutató</b>	68. o.
<b>RO</b>	<b>Manual de utilizare</b>	P. 81
<b>RU</b>	<b>Руководство пользователя</b>	C. 93
<b>UA</b>	<b>Посібник користувача</b>	C. 106

EN

FR

ES

PT

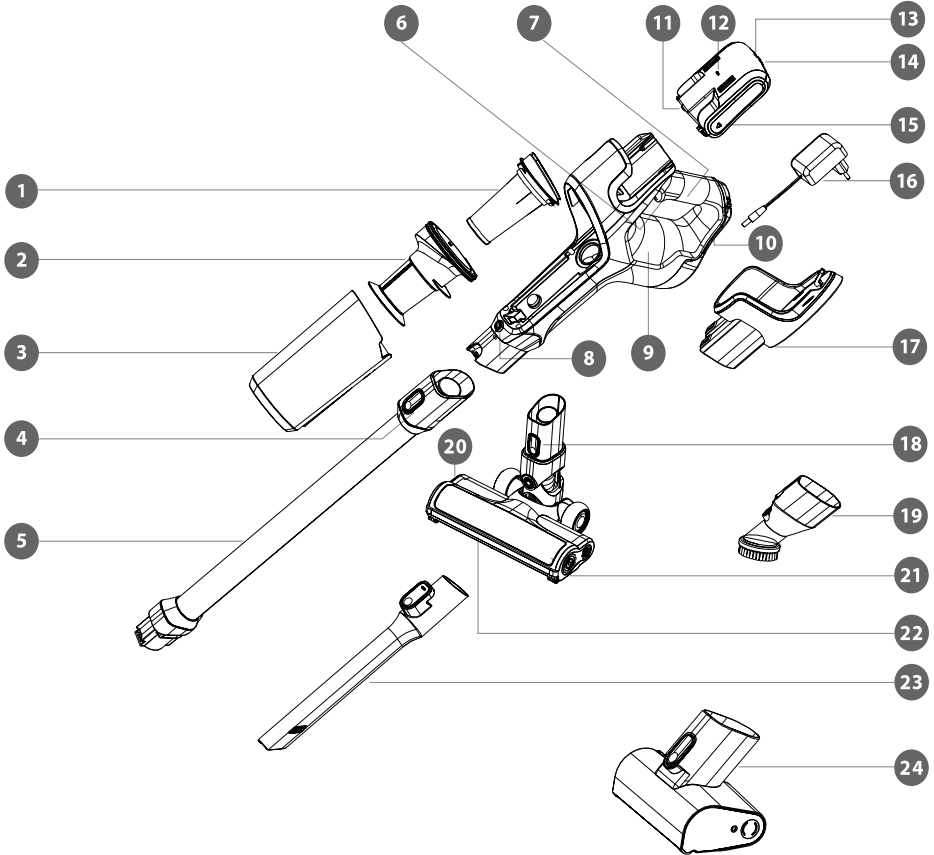
PL

HU

RO

RU

UA




# TABLE OF CONTENTS:

1. SAFETY INSTRUCTIONS	P. 4
2. TECHNICAL SPECIFICATIONS	P. 10
3. PRODUCT DESCRIPTION	P. 11
4. INSTALLATION	P. 11
5. USE	P. 12
6. MAINTENANCE AND CLEANING	P. 13
7. GUARANTEES AND LIMITATIONS OF LIABILITY	P. 15

## 1. SAFETY INSTRUCTIONS



Before using this product, carefully read these instructions and keep the user manual for future reference.

1. This appliance can be used by children aged from 8 years and above and persons with reduced physical, sensory or mental capabilities or lack of experience and knowledge if they have been given supervision or instruction concerning use of the appliance in a safe way and understand the hazards involved.
2. Children shall not play with the appliance.
3. Cleaning and user maintenance shall not be made by children without supervision.
4. The supply cord shall be regularly examined for damage or deterioration. If the supply cord is damaged, it must be replaced by a special cord or assembly available from the manufacturer or its service agent. Do not use the supply cord if broken as this may result in electric shock or fire.
5. The appliance is only to be used with the power supply unit provided with the appliance.
6.  **WARNING:** For the purposes of recharging the battery, only use the detachable supply unit (JOD-S-270050GS) provided with this appliance.
7. This appliance contains the batteries that are non-replaceable.

8. The plug must be removed from the socket-outlet before cleaning or maintaining the appliance.
9. It is necessary to take precautions during user maintenance. Refer to the «**MAINTENANCE AND CLEANING**» paragraph for maintenance and cleaning the appliance.
10. **CAUTION:** For domestic, indoor use only! Do not use the appliance in outdoor environments.
11. Do not use the appliance if it has been dropped, if there are any visible signs of damage or if the rechargeable battery is leaking.
12. Keep hair, loose clothing, fingers, and all parts of the body away from openings.
13. **WARNING:** Never use the appliance without the filter. Optimum dust collection will only be achieved with clean the filter and an empty dust cup.
14. Do not use any accessories other than those attached by the manufacturer, to avoid damaging the appliance and/or causing injuries.
15. Switch off the appliance before changing accessories.
16. Refer to the **5.1 Charging the battery pack** paragraph for information regarding charging.
17. Refer to the **2. TECHNICAL SPECIFICATIONS** section for the type reference of the batteries.
18. Always ensure that hands are dry before handling the plug or switching on the appliance.
19. Never handle the handheld vacuum cleaner and its charging dock with damp or wet hands.
20. Do not use a damaged supply cord, plug, or a loose power outlet.
21. Fully unwind the supply cord before use. Do not charge the appliance while the supply cord is coiled as this may cause overheating. Do not bend, stretch or pull the supply cord in order to avoid electric shock.
22. Do not route the supply cord over sharp edges.

23. Do not let the supply cord hang over the edge, touch hot surfaces, or become knotted. Do not place a heavy object on the supply cord that could break it.
24. Never pull the power plug out of sockets using the supply cord, or pull on the supply cord to manoeuvre the appliance.
25. Before plugging into the socket-outlet, ensure there is not any dust or water on the power plug.
26. Connect the supply cord's plug to an easily accessible socket, in order to quickly disconnect the appliance from the mains supply in an emergency.
27. For safety reasons, it is recommended to plug the appliance directly into its own electrical outlet on a dedicated circuit separate from other appliances. If the electrical circuit is overloaded with other appliances, your appliance may not function properly. Using in conjunction with a power strip or extension cord is not recommended.
28. Do not leave the supply cord lying exposed on the floor.
29. Always position the supply cord so that nobody can trip over or become entangled in it.
30. Do not immerse the appliance in water. Do not use near water.
31. Do not use the appliance if it has fallen into water or any other liquid. Have it checked by a qualified repair technician.
32. Do not place the appliance in direct sunlight or enclosed space where ventilation is restricted, or where there are other heat sources.
33. Do not expose to rain, wet and damp conditions.
34. Do not operate the appliance if it is visibly damaged.
35. It is recommended to regularly inspect the appliance.
36. Remove and safely discard any packaging material and promotional labels before using the appliance for the first time. Do not remove rating labels and safety information!


37. Store and operate this vacuum cleaner in room temperature environments only. It is forbidden to use the product at extremely low (below 0 °C) or high (above 40 °C) temperatures.
38. Never use to collect anything that is smoking or burning, such as cigarettes, hot ashes, or matches.
39. Never use to collect flammable or combustible liquids, such as methylated spirits, petrol, acetone, etc., nor use on the area where they may be present.
40. Never use to collect sharp and hard objects, such as glass pieces, metalling shavings, coins, nails, screws, etc.
41. Never use to collect corrosive or toxic materials, such as mineral acids, alkali solutions, oxidizer, drain cleaner, chlorine bleach, ammonia, etc.
42. Never use in an enclosed space filled with vapours given off by oil-based paint, moth proofing substances, paint thinner, flammable dust, or other toxic or explosive vapours.
43. Do not use the appliance to vacuum up any water, liquids or wet dirt.
44. Avoid using the vacuum cleaner in locations with desk lamps and candles as well as locations with gasoline, distilled alcohol, thinner, ashtrays with burning cigarettes, etc.
45. Never short-circuit the charge pins with metal objects such as screwdrivers, etc.
46. **CAUTION:** Do not open the housing under any circumstances. Never insert fingers or any foreign objects in any opening of the appliance and do not obstruct the air vents. The ventilation slots shall be kept clear for the appliance to work properly and prevent dangerous overheating. Do not cover the appliance.
47. Before each use, ensure the openings are free of dust, hair, lint and anything that can reduce the flow.

48. Repairs must only be performed by authorized technicians. Users or other unauthorized persons shall not attempt to repair or disassemble the product. Improper repairs can lead to considerable hazards.
49. The supply voltage shall be the same as that indicated in the technical specifications and the appliance rating plate.
50. Check the vacuum cleaner is intact. **DO NOT** use if broken.
51. If the pins of the plug parts are damaged, the plug-in power supply shall be scrapped.
52.  This marking indicates that this product should not be disposed of with other household wastes.  To prevent possible harm to the environment or human health from uncontrolled waste disposal, recycle it responsibly to promote the sustainable reuse of material resources. To return your used appliance, please use the return and collection systems or contact the retailer where the product was purchased. They can take this product for environmentally safe recycling.

#### 1.1 BATTERY SAFETY INSTRUCTIONS

53. **WARNINGS:** The handstick vacuum cleaner contains non-replaceable batteries. Used batteries must not be disposed of in the household rubbish. The batteries must be removed from the appliance before it is scrapped. To remove the batteries, take the appliance to a designated disposal/collection site. For your safety, do not attempt to remove the batteries yourself. If the batteries are not properly removed, they may lead to damage to the batteries and device, cause personal injury, and/or result in the device being unsafe.
54. Leaving a battery in an extremely high temperature surrounding environment that can result in an explosion or the leakage of flammable liquid or gas.



55. A battery subjected to the extremely low air pressure that may result in an explosion or the leakage of flammable liquid or gas.
56. Should battery fluid leak and contact your eyes, skin or clothing immediately rinse with plenty of clean water. Immediately contact your physician in case of eye or skin contact.
57. The batteries are a sealed unit and under normal circumstances poses no safety concerns. In the unlikely event that liquid leaks from the battery do not touch the liquid and observe the following precautions:
- **Skin contact:** can cause irritation. Wash with soap and water.
  - **Inhalation:** can cause respiratory irritation. Expose to fresh air and seek medical advice.
  - **Eye contact:** can cause irritation. Immediately flush eyes thoroughly with water for at least 15 minutes. Seek medical attention.
  - **Disposal:** wear gloves to handle the battery and dispose of it immediately, following local ordinances or regulations.
58.  Batteries must not be disposed of with normal household waste. Recycle them at the collection points provided for this purpose. Contact the local authorities or your dealer for recycling advice. Correct disposal of old batteries helps protect the environment and human health.

## 2. TECHNICAL SPECIFICATIONS

Rechargeable battery	Li-ion 22.2 V <sub>nom</sub> , 2000 mAh (C6) 6INR19/66
Rated voltage	21.6 V <sub>nom</sub>
Rated power	130 W
Low suction power working time	30 minutes
High suction power working time	15 minutes
Floor nozzle rated power	15 W
Charging time	4-5 hours
Dust cup capacity	0.5 L
Sound power level	78 dB
Suction power	5-8 kPa, 27.5 W
Net weight (without accessories)	2.28 kg
Product dimension in mm	1100 x 250 x 220 mm

### 2.1 Adapter technical data

Manufacturer's name or trade mark, commercial registration number and address	Shenzhen Jodeway Technology Co.,Ltd. 43rd Rifu Road, Baishixia East Area, Fuyong Street, Baoan District, Shenzhen, Guangdong, P. R. CHINA	
Model identifier	JOD-S-270050GS	-
Input voltage	100-240	V~
Input AC frequency	50-60	Hz
Output voltage	27.0	V <sub>nom</sub>
Output current	0.5	A
Output power	13.5	W
Average active efficiency	88.10	%
Efficiency at low load (10 %)	/	%
No-load power consumption	0.068	W

### 3. PRODUCT DESCRIPTION

- |                             |                                 |
|-----------------------------|---------------------------------|
| 1. Filter                   | 13. Charging slot               |
| 2. Filter protector         | 14. Suction power button        |
| 3. Dust cup                 | 15. Battery pack release button |
| 4. Main body release button | 16. Adapter                     |
| 5. Tube                     | 17. Wall mounting bracket       |
| 6. Power switch             | 18. Floor nozzle release button |
| 7. Handle                   | 19. Round brush nozzle          |
| 8. Dust cup release button  | 20. Roller brush release button |
| 9. Main body                | 21. Roller brush                |
| 10. Ventilation openings    | 22. LED light                   |
| 11. Battery pack            | 23. Crevice nozzle              |
| 12. Indicator light         | 24. Motorised pet tool          |

### 4. INSTALLATION

**Note:** This handstick vacuum cleaner is not a free-standing unit and in-between uses must always be placed in the wall bracket, or laid flat on the floor in a suitable location, so it does not become a trip hazard or can be stepped on. Keep the appliance away from children and pets.

#### 4.1 Mounting the wall mounting bracket

The product is designed to sit in the wall mounting bracket vertically.

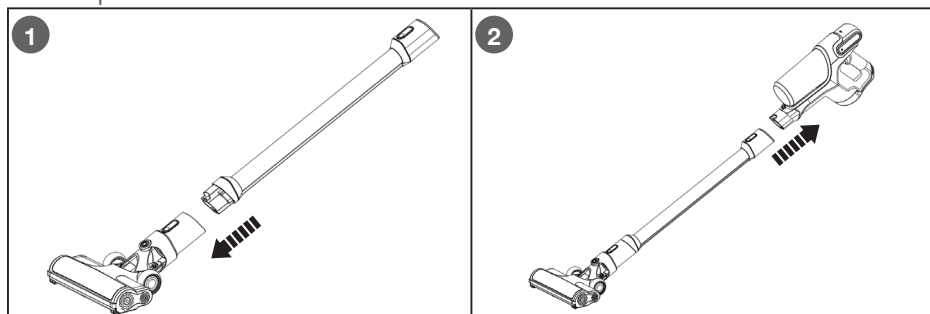
1. Select an installation position located in the proximity of the electrical outlet.
2. Place the wall mounting bracket against the mounting surface. Mark the centers of two holes.
3. Move the wall mounting bracket. Then, use an electric drill with a 6mm drill bit to punch two holes in the marked positions.

**Note:** Do not drill into any pipes or mains cables beneath the surface during mounting holes preparation. The fixing points must be capable of supporting the full weight of the product.

4. Fit plastic toggle anchors in the holes (not in set).
5. Fix the wall mounting bracket to the wall and tighten two M4x20 screws.
6. Hang the appliance.

#### 4.2 Assembling the handstick vacuum cleaner

1. Insert the tube into the floor nozzle connector, by pressing it in until it clicks securely into place.
2. Insert the main body into the top of the tube, by pressing it in until it clicks securely into place.



### 4.3 Fitting and removing accessories

- **CAUTION:** Before changing accessories, always switch the vacuum cleaner off first.
- **CAUTION: Risk of injury!** Never hold the crevice nozzle close to the body or it may stick to the skin. If the nozzle does get stuck, switch off the appliance immediately.
- All three accessories: crevice nozzle, small floor nozzle and round brush nozzle can be connected both to the tube and directly to the main body.

### 4.4 Disassembling

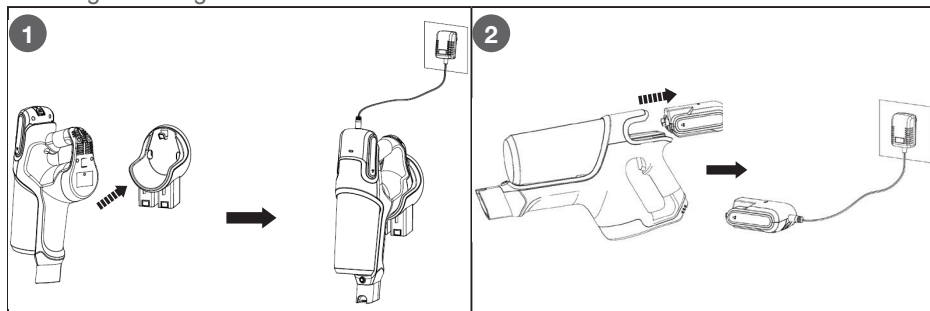
1. To disconnect the tube from the main body, press the main body release button and separate them.
2. To use one of the three accessories, first disconnect the floor nozzle or the tube by pressing the its release button.
3. To disconnect any accessory, press its release button and pull it out.

## 5. USE

### 5.1 Charging the battery pack

#### Notes:

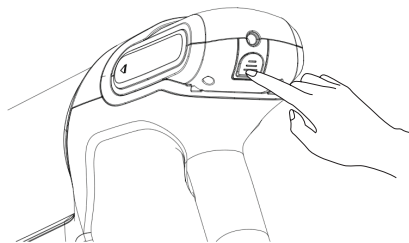
- Prior to first use, the lithium-ion battery must be fully charged, even if it comes with a partial charge.
  - Only charge the appliance using the power supply unit provided!
  - The appliance cannot be used while charging.
  - Before charging, switch off the appliance. The regular charging process takes 4-5 hours. To maintain the peak performance of the battery, it is recommended to charge the battery for 4-5 hours once a month if the appliance is not used regularly.
1. **Charging the battery in the handstick vacuum cleaner:** Hang the appliance on its wall mounting bracket. Plug the charger tip into the charging port on the top of the battery pack.
  2. **Charging the battery out of the handstick vacuum cleaner:** To remove the battery, squeeze the battery release buttons and slide backwards. Plug the charger into the charging port on the battery.
  3. Plug the charger into a wall socket.



**Note:** The charging indicator flashes blue while charging. It turns green when fully charged.

## 5.2 Operating the vacuum cleaner

1. Insert the desired accessory into the tube suction opening or directly to the main body.
2. Press the power button to turn the appliance on.
3. This appliance has low and high suction power. To regulate the suction power, press the suction power button on the battery pack.



4. After vacuuming is finished, press the power button again to turn the appliance off.
5. Empty and clean the dust cup. Hang the appliance on its wall mounting bracket.

## 6. MAINTENANCE AND CLEANING

**Note:** Always switch off, and disconnect the appliance from the power supply (if charging) before changing accessories, cleaning or maintenance.

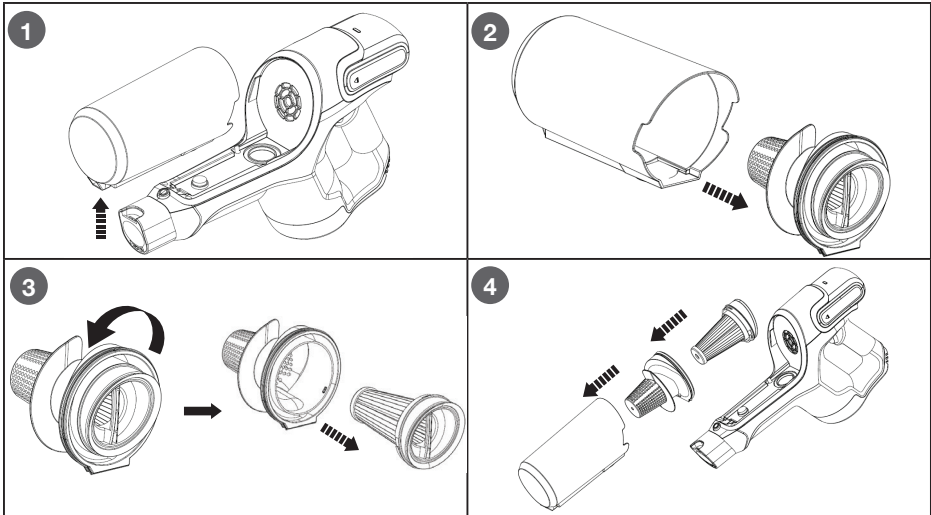
1. Do not submerge the appliance, its supply cord, and adapter in water or other liquids.
2. Avoid corrosive liquids and materials. Do not use any abrasive cleaners, chemicals, glass cleaners, universal cleaners, disinfecting agents or oil-based maintenance agents! Those products may damage the appliance.
3. Do not disassemble or modify the appliance. Changes or modifications will void the user warranty.
4. To protect the built-in battery, keep it in a dry place at a temperature of 0-40°C and out of the reach of children and pets.

### 6.1 Cleaning the main body and accessories

1. Use a soft damp cloth to wipe off any dirt from the main body. Pay attention to not allow water to get inside the appliance. Let it dry completely before use.
2. Wipe the accessories with a soft damp cloth and, if necessary, a little mild detergent. Let them dry completely.

### 6.2 Cleaning the duct container

1. Press the dust cup release button and lift it upwards to separate the dust cup from the main body. Be careful not to press the power button.
2. Gently pull the filter and its protection from the duct container under the dustbin. Empty the contents of the dust cup into a dustbin and clean it with a damp cloth, with a soft brush or rinse with cold water if necessary. Ensure the dust cup is completely dry before replacing it.
3. Remove the filter from the filter protection by turning it anti-clockwise and lifting it upwards. Clean the filter with a dry cloth or a soft brush. Run cold water over the outside of the filter and filter protection until the water runs clear, if necessary. Wash the filter regularly or as required. Lay the filter, and filter protection on its side to dry completely.
4. When completely dry, reinstall the filter protection into the duct container first. Put it in the filter protection and lock it into place by turning it clockwise. Make sure it is fitted properly. Then, fit the filter into the filter protection.



5. Reattach the dust cup in the main body.

### 6.3 Maintaining the floor nozzle

**Note:** If you run over a hard or sharp object or notice a noise change while vacuuming, check for blockages or objects caught in the roller brush.

1. To remove the roller brush, press the roller brush release button and it pops up automatically. Gently pull the roller brush out from the side.
2. Clean the roller brush and remove any stubborn dirt. Cut any threads or hairs that have wound themselves around the roller brush with a pair of scissors. Wipe the roller brush compartment with a soft, damp cloth. Let it dry completely.
3. Replace the roller brush into its compartment until it locks securely in place.

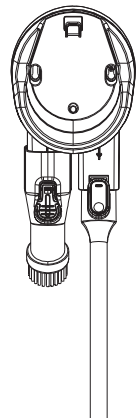
### 6.4 Checking for blockages

#### 6.4.1 Checking for blockages in the main body

1. Turn off the appliance.
2. Disconnect the tube from the main body by pressing the main body release button.
3. Check all intake openings to the dust cup and remove any debris or blockage.

#### 6.4.2 Checking for blockages in the tube

1. Turn off the appliance.
2. Disconnect the tube from the main body by pressing the main body release button.
3. Disassembly the floor nozzle from the tube by pressing the floor nozzle release button.
4. Clear any debris and blockages.



### 6.5 Storage

For storing the crevice tool and round brush nozzle, use the accessories holder, which is located on the wall mounting bracket.

## 7. GUARANTEES AND LIMITATIONS OF LIABILITY

This product is guaranteed for a period of 36 months (including the legal guarantee of 24 months as defined by local law as well as a commercial guarantee of 12 additional months offered by the brand) from the date of purchase, against any failure resulting from a manufacturing or material defect.

This guarantee does not cover damage resulting from a faulty installation, incorrect use, or normal wear and tear. More specifically, the guarantee does not cover:

- Damage or problems caused by incorrect use, accidents, modifications or an electrical connection with the wrong current or voltage.
- Products that have been modified or whose tamper evident seal or serial number has been damaged, altered, removed or rusted.
- Replaceable batteries and accessories are guaranteed for 6 months.
- Battery failure, as a result of over-charging or non-compliance with the safety instructions set out in the manual
- Cosmetic damage, including scratches, bumps and any other element.
- Damage caused by any servicing operations carried out by non-authorised persons.
- Faults caused by normal wear and tear or the normal ageing of the product
- Software updates as a consequence of changes to network settings
- Product failure resulting from the use of third party software to modify, change or adapt the product as supplied
- Product failure resulting from its use without manufacturer-approved accessories
- Rusted products

The manufacturer is not liable for the loss of data stored on the hard drive. Similarly, the manufacturer is not required to check that SIM/SD cards have been removed from returned products.

Repaired or replaced products may include new and/or repackaged hardware and components.

### IMPLEMENTATION METHODS

To make a claim under the guarantee, please return your product to the reception desk of your local sales outlet with the proof of purchase (receipt, invoice, etc.) of the product and accessories supplied, along with the original packaging.

The following information will be required: date of purchase, model and serial or IMEI number (this information generally features on the product, the packaging or proof of purchase).

Failing this, you must return the product with all accessories needed for it to work properly (power cable, adapter etc.).

If your product is covered by the guarantee, the after-sales service will (within the bounds of the local legislation):

- Repair or replace the faulty parts
- Exchange the returned product with a product which has the same features or better and is equivalent in terms of performance.
- Refund the product at the price stated on the proof of purchase.

In the case of a repair covered by the guarantee, your guarantee period will be extended by 6 months. This period cannot be combined in the event of repeated failures.

# SOMMAIRE :

FR


1. CONSIGNES DE SÉCURITÉ	P. 16
2. CARACTÉRISTIQUES TECHNIQUES	P. 23
3. DESCRIPTION DU PRODUIT	P. 24
4. INSTALLATION	P. 24
5. UTILISATION	P. 25
6. ENTRETIEN ET NETTOYAGE	P. 26
7. GARANTIE ET LIMITES DE RESPONSABILITÉ	P. 28

## 1. CONSIGNES DE SÉCURITÉ

Avant d'utiliser cet accessoire, lisez attentivement ces instructions et conservez la notice d'utilisation comme référence.

1. Cet appareil peut être utilisé par des enfants âgés de 8 ans et plus ainsi que par des personnes dont les capacités physiques, sensorielles et mentales sont réduites, ou des personnes dénuées d'expérience ou de connaissance, si ceux-ci ont bénéficié d'une surveillance ou d'instructions préalables concernant l'utilisation de l'appareil en toute sécurité et comprennent les dangers encourus.
2. Les enfants ne doivent pas prendre cet accessoire pour un jouet.
3. Le nettoyage et l'entretien usuel par l'utilisateur ne doivent pas être effectués par des enfants sans surveillance.
4. Le cordon d'alimentation doit être régulièrement inspecté pour s'assurer qu'il est exempt de dommages ou de détériorations. S'il est endommagé, vous devez le remplacer par un cordon spécial ou un ensemble disponible auprès du fabricant ou son agent de service. N'utilisez pas le cordon d'alimentation s'il est coupé, car cela pourrait provoquer une décharge électrique ou un incendie.
5. L'appareil ne doit être utilisé qu'avec le bloc d'alimentation fourni avec celui-ci.




6.  **MISE EN GARDE** : Pour recharger la batterie, utilisez uniquement l'unité d'alimentation amovible (JOD-S-270050GS) fournie avec cet appareil.
7. L'appareil contient des batteries non remplaçables.
8. La fiche doit être débranchée de la prise électrique avant le nettoyage ou l'entretien de l'appareil.
9. Prenez toutes les précautions nécessaires pendant l'entretien. Reportez-vous au paragraphe « **ENTRETIEN ET NETTOYAGE** » pour l'entretien et le nettoyage de l'appareil.
10. **ATTENTION** : Pour une utilisation domestique, en intérieur seulement ! N'utilisez pas l'appareil à l'extérieur.
11. N'utilisez pas cet appareil s'il est tombé, s'il présente des signes visibles de dommages ou si la batterie rechargeable fuit.
12. Maintenez les cheveux, vêtements larges, doigts et autres parties du corps éloignés des ouvertures.
13. **MISE EN GARDE** : N'utilisez jamais l'appareil sans le filtre. Pour un dépoussiérage optimal, vous devez nettoyer le filtre et vider le réservoir à poussière.
14. N'utilisez pas d'accessoires autres que ceux montés par le fabricant pour éviter d'endommager l'appareil ou de provoquer des blessures.
15. Éteignez l'appareil avant de changer d'accessoire.
16. Reportez-vous au paragraphe **5.1 Chargement du bloc-batterie** pour ce qui concerne le chargement.
17. Reportez-vous au chapitre **2. CARACTÉRISTIQUES TECHNIQUES** pour la référence du type de batteries.
18. Veillez toujours à avoir les mains sèches avant de toucher à la fiche ou de mettre en route l'appareil.
19. Ne manipulez jamais l'aspirateur ou sa station de charge avec des mains humides ou mouillées.
20. N'utilisez pas de fiche ni de cordon d'alimentation endommagé, ni même une prise électrique desserrée.

21. Déroulez entièrement le cordon d'alimentation avant utilisation. Ne chargez pas l'appareil lorsque le cordon d'alimentation est enroulé, car cela peut causer une surchauffe. Ne pliez pas, n'étirez pas ou ne tirez pas le cordon d'alimentation pour éviter une décharge électrique.
22. Ne dirigez pas le cordon d'alimentation des bords tranchants.
23. Ne laissez pas le cordon d'alimentation pendre sur le bord, toucher des surfaces chaudes ou se nouer. Ne placez pas d'objets lourds sur le cordon d'alimentation, car ils pourraient l'endommager.
24. Ne retirez jamais la fiche d'alimentation des prises à l'aide du cordon d'alimentation ou ne tirez jamais sur celui-ci pour manipuler l'appareil.
25. Avant de brancher l'appareil à une prise de courant, veillez à ce que la fiche d'alimentation soit exempte de poussières et sèche.
26. Branchez la fiche du cordon d'alimentation à une prise facilement accessible afin de débrancher rapidement l'appareil de l'alimentation secteur en cas d'urgence.
27. Pour des raisons de sécurité, il est conseillé de brancher l'appareil directement à une prise électrique sur un circuit dédié, distinct de celui des autres appareils. Si le circuit électrique est surchargé par d'autres appareils, il est possible que votre appareil ne fonctionne pas correctement. Il n'est pas conseillé d'utiliser une multiprise ou une rallonge pour cet appareil.
28. Ne laissez pas le cordon d'alimentation exposé sur le sol.
29. Placez toujours le cordon d'alimentation de sorte que personne ne puisse trébucher ou s'y empêtrer.
30. N'immergez pas l'appareil dans de l'eau. Ne l'utilisez pas à proximité de l'eau.


31. N'utilisez pas l'appareil s'il est tombé dans l'eau ou dans d'autres liquides. Faites-le vérifier par un technicien de réparation qualifié.
32. N'exposez pas l'appareil à la lumière directe du soleil ou ne le placez pas dans un espace clos non aéré ou en présence d'autres sources de chaleur.
33. Ne l'exposez pas à la pluie ni à un environnement humide.
34. N'utilisez pas l'appareil s'il est visiblement endommagé.
35. Il est conseillé de vérifier régulièrement l'état de l'appareil.
36. Enlevez et jetez correctement tout emballage et toute étiquette promotionnelle avant la première utilisation de l'appareil. En aucun cas, ne décollez les étiquettes de classement et de sécurité !
37. Rangez et utilisez cet aspirateur uniquement à température ambiante. Il est interdit d'utiliser l'appareil sous des températures extrêmement basses (inférieures à 0 °C) ou élevées (supérieures à 40 °C).
38. N'utilisez jamais l'appareil pour aspirer des objets brûlants ou de la fumée, tels que cigarettes, cendres chaudes ou allumettes.
39. N'utilisez jamais l'appareil pour aspirer des liquides combustibles ou inflammables, tels que l'alcool à brûler, l'essence, l'acétone, etc., et surtout ne l'utilisez pas là où ces produits sont présents.
40. N'utilisez pas l'appareil pour ramasser des objets tranchants et durs, tels que des morceaux de verre, des lames de rasoir, des pièces, des clous, des vis, etc.
41. N'utilisez pas l'appareil pour aspirer des matériaux corrosifs ou toxiques, tels que les acides minéraux, les solutions alcalines, les oxydants, les déboucheurs, l'eau de Javel, l'ammoniac, etc.

42. N'utilisez jamais l'appareil dans un espace clos rempli de vapeurs dégagées par de la peinture à l'huile, des substances antimites, des diluants pour peinture, de poussières inflammables ou d'autres vapeurs toxiques ou explosives.
43. N'utilisez pas l'appareil pour aspirer de l'eau, des liquides ou de la saleté humide.
44. Évitez d'utiliser l'aspirateur dans des endroits où l'on trouve des lampes de bureau et des bougies, ainsi que les endroits où se trouvent de l'essence, de l'alcool distillé, du diluant, des cendriers avec des cigarettes allumées, etc.
45. Ne mettez jamais en court-circuit les broches de charge au moyen d'objets métalliques, comme tournevis, etc.
46. **ATTENTION** : N'ouvrez pas le boîtier, quel qu'en soit le cas. N'insérez jamais de doigts ni de corps étrangers dans une ouverture de l'appareil et n'obstruez pas les grilles d'aération. Vous devez nettoyer les fentes d'aération pour que l'appareil fonctionne correctement et pour éviter une surchauffe dangereuse. Ne couvrez pas l'appareil.
47. Avant chaque utilisation, assurez-vous que les ouvertures sont exemptes de poussière, de cheveux, de peluches et de tout ce qui peut réduire l'aspiration.
48. Les réparations ne doivent être effectuées que par des techniciens agréés. Ni les utilisateurs ni d'autres personnes non autorisées ne doivent essayer de réparer ou de démonter l'appareil. Des réparations inappropriées peuvent s'avérer extrêmement dangereuses.
49. La tension d'alimentation doit être identique à celle indiquée dans les caractéristiques techniques et sur la plaque signalétique de l'appareil.
50. Vérifiez que l'aspirateur est intact. **NE PAS** l'utiliser si elle est cassée.

51. Si les broches des éléments connecteurs sont endommagées, le bloc d'alimentation enfichable doit être mis au rebut.
52.  Ce marquage indique que ce produit ne doit pas être jeté avec les autres déchets ménagers. ■■■ Par mesure de prévention pour l'environnement et pour la santé humaine, veuillez le recycler de façon responsable, conformément au principe de réutilisation des ressources matérielles. Pour retourner votre appareil usagé, veuillez utiliser les systèmes de renvoi et de collecte ou contacter le revendeur auprès duquel vous avez acheté l'appareil. Ils pourront procéder au recyclage de ce produit en toute sécurité.

#### 1.1 CONSIGNES DE SÉCURITÉ RELATIVES À LA PILE

53. **AVERTISSEMENTS** : L'aspirateur portatif contient des batteries non remplaçables. Les batteries usées ne doivent pas être jetées avec les déchets ménagers. Les batteries doivent être enlevées de l'appareil avant qu'il soit détruit. Pour retirer ces batteries, emportez l'appareil dans un site de mise au rebut/collecte désigné. Pour votre sécurité, n'essayez pas d'enlever vous-même les batteries. Si les batteries ne sont pas enlevées correctement, cela peut endommager les batteries et l'appareil, vous blesser ou rendre l'appareil dangereux.
54. Laisser une batterie dans un environnement de température extrêmement élevée peut provoquer une explosion ou des fuites de liquide ou de gaz inflammable.
55. Il s'agit d'une batterie soumise à une pression d'air extrêmement basse qui peut entraîner une explosion ou une fuite de liquide ou de gaz inflammable.
56. Si le liquide de la batterie fuit et entre en contact avec vos yeux, votre peau ou vos vêtements, rincez immédiatement et abondamment à l'eau claire. Contactez immédiatement votre médecin en cas de contact avec les yeux ou la peau.

57. Les batteries sont hermétiques et ne posent aucun problème de sécurité dans des conditions normales. En cas improbable de fuite de liquide de la batterie, ne touchez pas ce liquide et prenez les précautions suivantes :
- **Contact cutané** : peut causer une irritation. Lavez avec de l'eau et du savon.
  - **Inhalation** : peut causer une irritation respiratoire. Exposez-vous à l'air frais et consultez un médecin.
  - **Contact avec les yeux** : peut causer une irritation. Rincez immédiatement les yeux avec de l'eau en abondance pendant au moins 15 minutes. Consultez un médecin.
  - **Mise au rebut** : portez des gants pour manipuler la batterie et mettez-la immédiatement au rebut, conformément aux règlements ou réglementations locales.
58.  Les batteries ne doivent pas être jetées avec les déchets ménagers ordinaires. Recyclez-les en les amenant à un point de collecte prévu à cet effet. Adressez-vous aux autorités locales ou à votre revendeur pour obtenir des conseils sur le recyclage. Une élimination correcte des batteries usées contribue à protéger l'environnement et la santé humaine.

## 2. CARACTÉRISTIQUES TECHNIQUES

Batterie rechargeable	Li-ion 22,2 V $\equiv$ , 2 000 mAh (C6) 6INR19/66
Tension nominale	21,6 V $\equiv$
Puissance assignée	130 W
Autonomie de fonctionnement en mode faible aspiration	30 minutes
Autonomie de fonctionnement en mode aspiration élevée	15 minutes
Puissance nominale avec le suceur pour sol	15 W
Temps de charge	4 à 5 heures
Capacité du réservoir à poussière	0,5 l
Niveau de puissance acoustique	78 dB
Puissance d'aspiration	5-8 kPa, 27,5 W
Poids net (sans accessoires)	2,28 kg
Dimensions du produit (mm)	1100 x 250 x 220 mm

FR

### 2.1 Données techniques de l'adaptateur

Nom ou marque du fabricant, numéro siret et adresse	Shenzhen Jodeway Technology Co.,Ltd. 43rd Rifu Road, Baishixia East Area, Fuyong Street, Baoan District, Shenzhen, Guangdong, P. R. CHINA	
Identifiant du modèle	JOD-S-270050GS	-
Tension d'entrée	100-240	V~
Fréquence du courant alternatif en entrée	50-60	Hz
Tension en sortie	27	V $\equiv$
Courant en sortie	0,5	A
Puissance de sortie	13,5	W
Efficacité active moyenne	88,10	%
Efficacité à faible charge (10 %)	/	%
Consommation électrique à vide	0,068	W

### 3. DESCRIPTION DU PRODUIT

FR

- |  |  |
|--|--|
| 1. Filtre  | 14. Bouton de réglage de la puissance d'aspiration |
| 2. Filtre protecteur                             | 15. Bouton de libération de bloc-batterie          |
| 3. Réservoir à poussière                         | 16. Adaptateur                                     |
| 4. Bouton de libération du corps principal       | 17. Support mural                                  |
| 5. Tube  | 18. Bouton de libération du suceur pour sol        |
| 6. Interrupteur d'alimentation                   | 19. Suceur à brosse ronde                          |
| 7. Poignée                                       | 20. Bouton de libération de la brosse à rouleaux   |
| 8. Bouton de libération du réservoir à poussière | 21. Brosse à rouleaux                              |
| 9. Corps   | 22. Lampe LED                                      |
| 10. Orifices de ventilation                      | 23. Suceur biseauté                                |
| 11. Bloc-batterie                                | 24. Outil motorisé pour animal domestique          |
| 12. Voyant                                       |  |
| 13. Fente de chargement                          |  |

### 4. INSTALLATION

**Remarque :** Cet aspirateur balai portable n'est pas autonome. Entre deux utilisations, vous devez toujours le placer sur son support mural ou le poser à plat sur le sol dans un endroit approprié afin d'éviter tout risque de trébuchement ou de piétinement. Tenez l'appareil hors de la portée des enfants et des animaux.

#### 4.1 Montage du support mural

Le produit est conçu de manière à être suspendu sur le support mural de manière verticale.

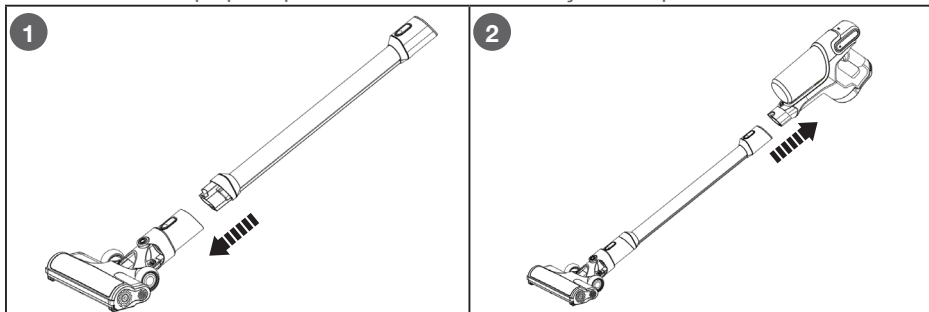
1. Choisissez l'endroit de son installation à proximité d'une prise électrique.
2. Placez le support mural contre la surface de montage. Marquez le centre des deux trous.
3. Mettez de côté le support mural. À l'aide d'une perceuse électrique et d'un foret de 6 mm, percez les deux trous aux positions que vous avez marquées.

**Remarque :** Veillez à ne pas percer les conduites ou les câbles électriques susceptibles de se trouver sous la surface lors du perçage des trous de fixation. Les points de fixation doivent pouvoir supporter le poids de l'appareil.

4. Insérez des chevilles à bascule en plastique dans les trous (non incluses).
5. Fixez le support mural et serrez les 2 vis M4 x 20.
6. Accrochez l'appareil.

#### 4.2 Assemblage de l'aspirateur balai portable

1. Insérez le tube dans le raccord du suceur pour sol en l'enfonçant complètement.
2. Insérez le corps principal dans le tube en l'enfonçant complètement.





### 4.3 Installation et retrait des accessoires

- **ATTENTION** : Avant de changer d'accessoires, éteignez toujours l'aspirateur en premier.
- **ATTENTION : Risque de blessures !** Ne tenez jamais le suceur biseauté près du corps, sinon il risque de coller à la peau. Si le suceur se coince, éteignez immédiatement l'appareil.
- Les trois accessoires (suceur biseauté, petit suceur pour sol et suceur à brosse ronde) peuvent être raccordés au tube et directement au corps principal.

### 4.4 Désassemblage

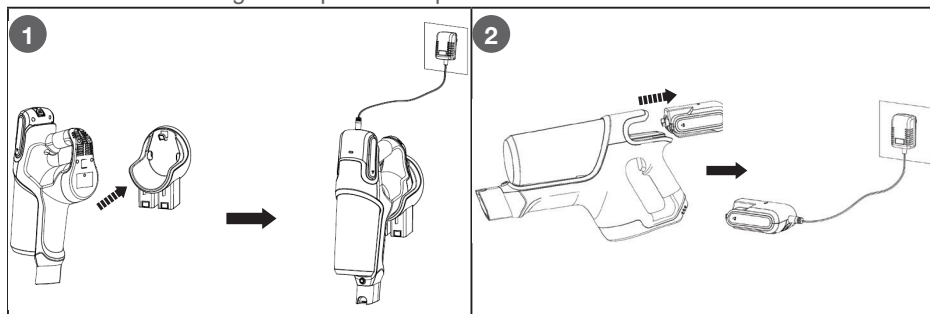
1. Détachez et séparez le tube du corps principal en appuyant sur le bouton de libération du corps principal.
2. Pour utiliser l'un des trous accessoires, détachez tout d'abord le suceur pour sol ou le tube en appuyant sur son bouton de libération.
3. Pour détacher un accessoire, appuyez sur son bouton de libération, puis faites-le sortir.

## 5. UTILISATION

### 5.1 Chargement du bloc-batterie

#### Remarques :

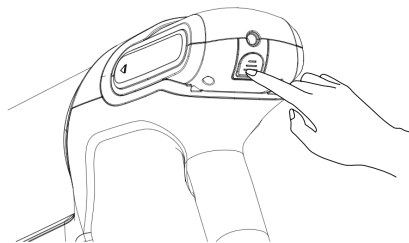
- Avant la première utilisation, vous devez charger complètement la batterie lithium-ion, même si elle est livrée avec une charge partielle.
  - Chargez l'appareil uniquement avec le bloc d'alimentation fourni !
  - L'appareil ne doit pas être utilisé pendant le chargement.
  - Avant le chargement, éteignez l'appareil. Le chargement normal prend entre 4 et 5 heures. Pour maintenir la performance maximale de la batterie, il est recommandé de la charger pendant 4 à 5 heures une fois par mois si vous n'utilisez pas régulièrement l'appareil.
1. **Chargement de la batterie de l'aspirateur balai portatif** : accrochez l'appareil à son support mural. Branchez la fiche du chargeur au port de chargement du bloc-batterie.
  2. **Chargement de la batterie hors de l'aspirateur balai portatif** : pour retirer la batterie, exercez une pression sur les boutons de libération de la batterie, puis faites-la glisser vers l'arrière. Branchez le chargeur au port de chargement de la batterie.
  3. Branchez le chargeur au port à une prise murale.



**Remarque** : Le voyant de charge clignote en bleu lors de la charge. Une fois la batterie chargée, le voyant devient vert.

## 5.2 Utilisation de l'aspirateur

1. Insérez l'accessoire désiré dans le tube d'aspiration ou directement dans le corps principal.
2. Appuyez sur l'interrupteur d'alimentation pour allumer l'appareil.
3. L'appareil prévoit deux puissances d'aspiration : faible et élevée. Pour régler la puissance d'aspiration, appuyez sur le bouton de réglage de la puissance d'aspiration située sur le bloc-batterie.



4. Une fois l'aspiration terminée, appuyez de nouveau sur le bouton d'alimentation pour éteindre l'appareil.
5. Videz et nettoyez le réservoir à poussière. Accrochez l'appareil à son support mural.

## 6. ENTRETIEN ET NETTOYAGE

**Remarque :** Éteignez toujours l'appareil et débranchez-le de l'alimentation électrique (s'il se charge) avant de changer les accessoires, de le nettoyer ou d'effectuer l'entretien.

1. Ne plongez ni l'appareil, ni son cordon d'alimentation, ni l'adaptateur dans l'eau ou dans tout autre liquide.
2. Évitez les liquides et les matériaux corrosifs. N'utilisez pas de nettoyeurs abrasifs, de produits chimiques, de produits nettoyants pour le verre, de nettoyeurs universels, d'agents désinfectants ou d'agents d'entretien à base d'huile ! Ces produits peuvent endommager l'appareil.
3. Ne démontez pas ou ne modifiez pas l'appareil. Des changements ou modifications annuleront la garantie de l'utilisateur.
4. Pour protéger la batterie intégrée, gardez-la dans un endroit sec à une température comprise entre 0 à 40 °C et hors de la portée des enfants et des animaux domestiques.

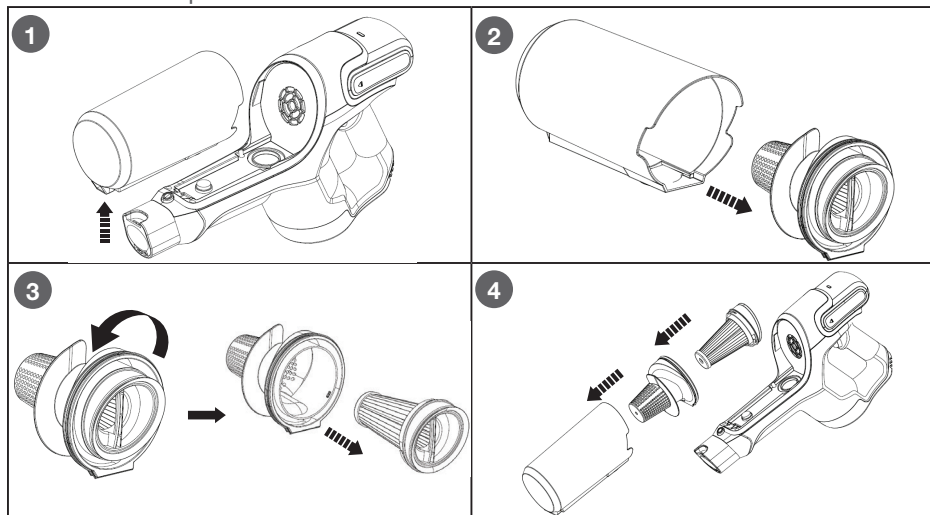
### 6.1 Nettoyez le corps principal et les accessoires

1. Utilisez un chiffon doux et humide pour essuyer la saleté sur le corps principal. Veillez à ce que l'eau ne pénètre pas à l'intérieur de l'appareil. Laissez-le sécher complètement avant l'utilisation.
2. Essuyez les accessoires à l'aide d'un chiffon doux et humide et, si nécessaire, un peu de détergent doux. Laissez-les sécher complètement.

### 6.2 Nettoyer le réservoir à poussière

1. Appuyez sur le bouton de libération du réservoir à poussière pour le séparer du corps principal. Veillez à ne pas appuyer sur le bouton d'alimentation.
2. Retirez délicatement le filtre et sa protection du réservoir à poussière situé sous la poubelle. Videz le contenu du réservoir à poussière dans une poubelle et nettoyez-le avec un chiffon humide, une brosse douce ou rincez-le à l'eau froide si nécessaire. Assurez-vous que le réservoir à poussière est complètement sec avant de le remplacer.
3. Retirez le système de protection du filtre en le tournant dans le sens antihoraire, puis levez. Nettoyez le filtre avec un chiffon sec ou une brosse douce. Laissez couler de l'eau froide sur l'extérieur du filtre et de la protection du filtre jusqu'à ce que l'eau devienne claire, si nécessaire. Lavez le filtre régulièrement ou au besoin. Posez le filtre et la protection du filtre sur le côté pour les faire sécher complètement.

4. Lorsqu'il est complètement sec, réinstallez d'abord la protection du filtre dans le réservoir à poussière. Remettez en place le système de protection du filtre en tournant dans le sens horaire. Assurez-vous qu'il est bien ajusté. Ensuite, placez le filtre dans la protection du filtre.



5. Fixez à nouveau le réservoir à poussière dans le corps principal.

### 6.3 Entretien du suceur pour sol

**Remarque :** Si vous aspirez un objet dur ou pointu ou si vous remarquez un changement de bruit pendant que vous passez l'aspirateur, vérifiez qu'il n'y a pas de blocages ou d'objets coincés dans la brosse à rouleaux.

1. Retirez la brosse à rouleaux en appuyant sur son bouton de libération. Elle se détachera toute seule. Tirez doucement la brosse à rouleaux sur le côté.
2. Nettoyez la brosse et éliminez toute saleté tenace. Coupez les fils ou les poils qui se sont enroulés autour de la brosse à rouleaux au moyen d'une paire de ciseaux. Essayez le compartiment de la brosse à rouleaux à l'aide d'un chiffon doux et humide. Laissez-le sécher complètement.
3. Remettez bien la brosse à rouleaux en place dans son compartiment.

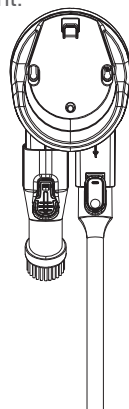
### 6.4 Contrôle de la présence de blocages

#### 6.4.1 Contrôle de la présence de blocages dans le corps principal

1. Éteignez l'appareil.
2. Détachez le tube du corps principal en appuyant sur le bouton de libération du corps principal.
3. Vérifiez tous les orifices d'entrée vers le réservoir à poussière et retirez tout débris ou blocage.

#### 6.4.2 Contrôle de la présence de blocages dans le tube

1. Éteignez l'appareil.
2. Détachez le tube du corps principal en appuyant sur le bouton de libération du corps principal.
3. Détachez le suceur pour sol du tube en appuyant sur son bouton de libération.
4. Éliminez tout débris ou blocage.



### 6.5 Rangement

Rangez l'embout plat et le suceur à brosse ronde dans le porte-accessoires du support mural.

## 7. GARANTIE ET LIMITES DE RESPONSABILITÉ

Ce produit est garanti pour une période de 36 mois (incluant la garantie légale de 24 mois telle que définie par la législation locale ainsi qu'une garantie commerciale de 12 mois supplémentaires offerts par la marque) à partir de la date d'achat, contre toute défaillance résultant d'un vice de fabrication ou de matériau.

Cette garantie ne couvre pas les dommages résultant d'une mauvaise installation, d'une utilisation incorrecte, ou de l'usure normale de l'accessoire. Plus précisément, la garantie ne couvre pas :

- Les dommages ou problèmes causés par une utilisation incorrecte, un accident, une altération ou un branchement électrique d'intensité ou de tension inappropriée.
- Les accessoires modifiés, ceux dont le scellé de garantie ou le numéro de série ont été endommagés, altérés, supprimés ou oxydés.
- Les batteries remplaçables et les accessoires sont garantis pour une période de 6 mois.
- La défaillance de la batterie, survenue par un chargement trop long ou par le non-respect des consignes de sécurité expliquées dans la notice.
- Les dommages esthétiques, y compris rayures, bosses et tout autre élément.
- Les dommages causés par toute intervention effectuée par une personne non agréée.
- Les défauts causés par une usure normale ou dus au vieillissement normal de l'accessoire.
- Les mises à jour de logiciel, dues à un changement de paramètres réseau.
- Les défaillances de l'accessoire dues à l'utilisation de logiciels tiers pour modifier, changer ou adapter l'existant.
- Les défaillances de l'accessoire dues à l'utilisation sans les accessoires homologués par le fabricant.
- Les accessoires oxydés

En aucun cas, le fabricant ne peut être responsable de la perte de données stockées sur le disque. De même, le fabricant n'est pas tenu de vérifier que les cartes SIM/SD soient bien retirées des accessoires retournés.

Les accessoires réparés ou remplacés peuvent inclure des composants et des équipements nouveaux ou reconditionnés.

### MODALITÉS DE MISE EN PLACE

Pour obtenir un service de garantie, vous êtes priés de rapporter votre produit à l'accueil de votre lieu de vente muni de votre preuve d'achat (ticket de caisse, facture...), du produit et de ses accessoires fournis, avec son emballage d'origine.

Il est important d'avoir comme information la date d'achat, le modèle et le numéro de série ou d'IMEI (ces informations apparaissent généralement sur l'accessoire, l'emballage ou votre preuve d'achat).

À défaut, vous devez rapporter le produit avec les accessoires nécessaires à son bon fonctionnement (alimentation, adaptateur, etc.)

Dans le cas où votre réclamation est couverte par la garantie, le service après-vente pourra, dans les limites de la législation locale, soit :

- Réparer ou remplacer les pièces défectueuses
- Échanger l'accessoire retourné avec un accessoire qui a au moins les mêmes fonctionnalités et qui est équivalent en matière de performance.
- Rembourser l'accessoire au prix d'achat de l'accessoire mentionné sur la preuve d'achat.


Dans le cas d'une réparation couverte par la garantie, votre durée de garantie se verra prolongée de 6 mois. Mais ne sera en aucun cas cumulable en cas de pannes répétées.

# ÍNDICE:

1. INSTRUCCIONES DE SEGURIDAD	P. 29
2. ESPECIFICACIONES TÉCNICAS	P. 36
3. DESCRIPCIÓN DEL PRODUCTO	P. 37
4. INSTALACIÓN	P. 37
5. USO	P. 38
6. MANTENIMIENTO Y LIMPIEZA	P. 39
7. GARANTÍAS Y LÍMITES DE RESPONSABILIDAD	P. 41

## 1. INSTRUCCIONES DE SEGURIDAD

Antes de usar este producto, lea atentamente estas instrucciones y conserve el manual del usuario para futuras consultas.


1. Este aparato puede ser utilizado por niños mayores de 8 años y personas con capacidades físicas, sensoriales o mentales reducidas o sin experiencia y conocimiento si se les ha supervisado o instruido sobre el uso del artefacto de una manera segura y entienden los peligros que conlleva.
2. Los niños no deben jugar con el aparato.
3. La limpieza y el mantenimiento por parte del usuario no deben ser realizados por niños sin supervisión.
4. El cable de alimentación se deberá examinar periódicamente para comprobar si hubiese daños o signos de deterioro. Si el cable de alimentación está dañado, se debe sustituir por un cable especial o un conjunto suministrado por el fabricante o su agente de servicio. No utilice el cable de alimentación si está roto, ya que puede provocar una descarga eléctrica o un incendio.
5. El dispositivo solo debe usarse con la fuente de alimentación provista con el electrodoméstico.
6.  **ADVERTENCIA:** Para recargar la batería, utilice únicamente la unidad de suministro desmontable (JOD-S-270050GS) que se incluye con este dispositivo.

7. Este aparato contiene baterías no reemplazables.
8. Se debe extraer el enchufe de la toma de corriente antes de limpiar o realizar el mantenimiento del aparato.
9. Es necesario tomar precauciones durante el mantenimiento del usuario. Consulte el apartado «**MANTENIMIENTO Y LIMPIEZA**» para conocer el mantenimiento y limpieza del aparato.
10. **PRECAUCIÓN:** ¡Solo para uso doméstico en interiores! No utilice el aparato en exteriores.
11. No utilice el aparato si se ha caído, si hay signos visibles de daños o si la batería recargable tiene fugas.
12. Mantenga el cabello, la ropa, los dedos y todas las partes del cuerpo lejos de las aberturas.
13. **ADVERTENCIA:** Nunca use el aparato sin el filtro. Para conseguir una recogida óptima del polvo es necesario que el filtro esté limpio y que el depósito de polvo esté vacío.
14. No utilice accesorios distintos a los suministrados por el fabricante, para evitar dañar el aparato o causar lesiones.
15. Apague el aparato antes de cambiar los accesorios.
16. Consulte el apartado **5.1 Carga de la batería** para obtener información sobre la carga.
17. Consulte la sección **2. ESPECIFICACIONES TÉCNICAS** para conocer la referencia del tipo de baterías.
18. Asegúrese de tener las manos secas antes de manipular el enchufe o encender el aparato.
19. No manipule nunca el aspirador de mano y su base de carga con las manos húmedas o mojadas.
20. No utilice un cable de alimentación o un enchufe dañado ni una toma de corriente suelta.
21. Desenrolle completamente el cable eléctrico antes de usarlo. No cargue el aparato mientras el cable de alimentación esté enrollado, ya que puede provocar un sobrecalentamiento. No doble, estire ni tire del cable de alimentación para evitar una descarga eléctrica.

22. No pase el cable de alimentación por encima de bordes afilados.
23. No deje que el cable eléctrico cuelgue por el borde, toque superficies calientes ni se enrede. No coloque un objeto pesado sobre el cable de alimentación ya que podría romperlo.
24. Nunca desconecte el enchufe de la toma de corriente por el cable de alimentación, ni tire del cable de alimentación para mover el aparato.
25. Antes de conectarlo a la toma de corriente, asegúrese de que no haya polvo ni agua en el enchufe.
26. Conecte el enchufe del cable de alimentación a una toma de corriente de fácil acceso, para poder desconectar rápidamente el aparato de la red eléctrica en caso de emergencia.
27. Se recomienda enchufar el aparato directamente a su propia toma eléctrica de un circuito dedicado por separado de otros aparatos por motivos de seguridad. Si el circuito eléctrico está sobrecargado con otros aparatos, el aparato puede no funcionar correctamente. No se recomienda utilizarlo en combinación con una regleta o cable alargador.
28. No deje el cable de alimentación expuesto en el suelo.
29. Coloque el cable de corriente de tal forma que nadie lo pise o se enrede.
30. No sumerja el aparato en agua. No lo utilice cerca del agua.
31. No utilice el aparato si se ha caído en el agua o en cualquier otro líquido. Haga que lo revise un técnico de reparaciones cualificado.
32. No coloque el aparato a la luz directa del sol o en un espacio cerrado donde la ventilación esté restringida ni donde haya otras fuentes de calor.
33. No lo exponga a la lluvia ni a la humedad.
34. No utilice el aparato si está visiblemente dañado.
35. Se recomienda inspeccionar periódicamente el aparato.

36. Retire y deseche de manera segura los materiales de embalaje y etiquetas promocionales antes de utilizar el aparato por primera vez. ¡No retire las etiquetas de clasificación ni la información de seguridad!
37. Almacene y opere este aspirador solo en entornos con temperatura ambiente. Está prohibido utilizar el producto a temperaturas extremadamente bajas (por debajo de 0 °C) o altas (por encima de 40 °C).
38. No lo utilice nunca para recoger nada que esté humeando o ardiendo, como cigarrillos, cenizas calientes o cerillas.
39. No lo utilice nunca para recoger líquidos inflamables o combustibles, como metanol, gasolina, acetona, etc., ni lo utilice en la zona donde puedan estar presentes.
40. No lo utilice nunca para recoger objetos afilados y duros, como trozos de vidrio, virutas de metal, monedas, clavos, tornillos, etc.
41. No lo utilice nunca para recoger materiales corrosivos o tóxicos, como ácidos minerales, soluciones alcalinas, oxidantes, limpiadores de desagües, lejía, amoníaco, etc.
42. No lo utilice nunca en un espacio cerrado en el que haya vapores procedentes de pinturas a base de aceite, sustancias antipolillas, disolvente de pintura, polvo inflamable u otros vapores tóxicos o explosivos.
43. No utilice el aparato para aspirar agua, líquidos o suciedad húmeda.
44. Evite utilizar el aspirador en lugares con lámparas de escritorio y velas, así como en lugares con gasolina, alcohol destilado, disolventes, ceniceros con cigarrillos encendidos, etc.
45. Nunca cortocircuite las clavijas de carga con objetos metálicos como destornilladores, etc.



46. **PRECAUCIÓN:** No abra la carcasa bajo ninguna circunstancia. No introduzca nunca los dedos ni ningún objeto extraño en ninguna de las aberturas del aparato y no obstruya las salidas de aire. Se deben mantener despejadas las ranuras de ventilación para que el aparato funcione correctamente y evitar un sobrecalentamiento peligroso. No cubra el aparato.
47. Antes de cada uso, asegúrese de que las aberturas estén libres de polvo, pelo, pelusa y cualquier cosa que pueda reducir el flujo.
48. Las reparaciones deben ser realizadas únicamente por técnicos autorizados. No está permitido que los usuarios u otras personas no autorizadas intenten reparar o desmontar el producto. Las reparaciones incorrectas pueden provocar peligros considerables.
49. La tensión de alimentación deberá coincidir con la indicada en las especificaciones técnicas y en la placa de características del aparato.
50. Compruebe que el aspirador está intacto. **NO** la use si está rota.
51. Si las clavijas del enchufe están dañadas, se deberá desechar la fuente de alimentación enchufable.
52.  Este símbolo indica que este producto no se debe eliminar junto con otros desechos domésticos. Con el fin de evitar posibles daños al medio ambiente o a la salud por la eliminación descontrolada de residuos, recíclelo con responsabilidad, promoviendo así una reutilización sostenible de los recursos materiales. La devolución del aparato usado se realiza a través de los sistemas de devolución y recogida o contactando con el establecimiento donde se adquirió el producto. Estos profesionales se encargarán de desechar el aparato de forma sostenible.

## 1.1 INSTRUCCIONES DE SEGURIDAD DE LAS PILAS

- ES**
53. **ADVERTENCIAS:** La aspiradora de escoba contiene baterías no reemplazables. Las pilas usadas no deben tirarse a la basura doméstica. Extraiga las baterías del aparato antes de desecharlo. Para extraer las baterías, lleve el aparato a un punto de eliminación o recogida oficial. Por su seguridad, no intente extraer las baterías usted mismo. Si las baterías no se extraen correctamente, pueden provocar daños en las baterías y en el dispositivo, causar lesiones personales o hacer que el dispositivo no sea seguro.
54. Exposición de la batería a temperatura ambiente extremadamente alta, lo que podría provocar una explosión o la fuga de líquido o gas inflamable.
55. La exposición de la batería a una presión atmosférica extremadamente baja podría provocar una explosión o la fuga de líquidos o gases inflamables.
56. Si el líquido de la pila se derrama y entra en contacto con los ojos, la piel o la ropa, enjuague inmediatamente con abundante agua limpia. Contacte inmediatamente con su médico en caso de contacto con los ojos o la piel.
57. Las baterías son una unidad sellada y, en circunstancias normales, no plantean problemas de seguridad. En el caso improbable de que se produzcan fugas de líquido de la batería, no toque el líquido y observe las siguientes precauciones:
- **Contacto con la piel:** puede causar irritación. Lávese con agua y jabón.
  - **Inhalación:** puede causar irritación respiratoria. Salga al aire libre y busque asesoramiento médico.
  - **Contacto con los ojos:** puede causar irritación. Lávese inmediatamente los ojos con agua durante al menos 15 minutos. Busque atención médica.

- **Eliminación:** utilice guantes para manipular la batería y deséchela inmediatamente, siguiendo las ordenanzas o reglamentos locales.

58.



Las baterías no deben desecharse con la basura doméstica. Recíclelas en los puntos de recogida previstos para este fin. Póngase en contacto con las autoridades locales o con su distribuidor para obtener asesoramiento sobre reciclaje. La correcta eliminación de las baterías usadas ayuda a proteger el medio ambiente y la salud.

ES

## 2. ESPECIFICACIONES TÉCNICAS

Batería recargable	Iones de litio de 22,2 V <sub>---</sub> , 2000 mAh (C6) 6INR19/66
Voltaje nominal	21,6 V <sub>---</sub>
Potencia asignada	130 W
Tiempo de funcionamiento con potencia de succión baja	30 minutos
Tiempo de funcionamiento con potencia de succión alta	15 minutos
Potencia nominal de la boquilla para suelo	15 W
Tiempo de carga	4-5 horas
Capacidad del depósito para el polvo	0,5 l
Nivel de potencia acústica	78 dB
Potencia de succión	5-8 kPa, 27,5 W
Peso neto (sin accesorios)	2,28 kg
Dimensiones del producto en mm	1100 x 250 x 220 mm

### 2.1 Datos técnicos del adaptador

Nombre o marca del fabricante, número de registro comercial y dirección	Shenzhen Jodeway Technology Co.,Ltd. 43rd Rifu Road, Baishixia East Area, Fuyong Street, Baoan District, Shenzhen, Guangdong, P. R. CHINA	
Identificador del modelo	JOD-S-270050GS	-
Tensión de entrada	100-240	V~
Frecuencia de CA de entrada	50-60	Hz
Tensión de salida	27,0	V <sub>---</sub>
Corriente de salida	0,5	A
Potencia de salida	13,5	W
Eficiencia activa media	88,10	%
Eficiencia a baja carga (10 %)	/	%
Consumo de energía sin carga	0,068	W

### 3. DESCRIPCIÓN DEL PRODUCTO

- |   |   |
|---|---|
| 1. Filtro   | 13. Ranura de carga                               |
| 2. Protector del filtro                           | 14. Botón de potencia de succión                  |
| 3. Depósito para el polvo                         | 15. Botón de liberación de la batería             |
| 4. Botón de liberación del cuerpo principal       | 16. Adaptador                                     |
| 5. Tubo   | 17. Soporte de pared                              |
| 6. Interruptor de encendido                       | 18. Botón de liberación de la boquilla para suelo |
| 7. Asa  | 19. Boquilla de cepillo redondo                   |
| 8. Botón de liberación del depósito para el polvo | 20. Botón de liberación del cepillo giratorio     |
| 9. Cuerpo principal                               | 21. Cepillo giratorio                             |
| 10. Rejillas de ventilación                       | 22. Luz LED                                       |
| 11. Batería                                       | 23. Boquilla para grietas                         |
| 12. Indicador luminoso                            | 24. Accesorio para mascotas motorizado            |

ES

### 4. INSTALACIÓN

**Observación:** Esta aspiradora de escoba no se mantiene de pie por sí sola y, mientras no se utilice, debe estar colocada en el soporte de pared o tumbada en el suelo, en un lugar adecuado para que nadie la pise ni suponga un riesgo de tropiezo. Mantenga el aparato alejado de los niños y las mascotas.

#### 4.1 Montaje del soporte de pared

El producto está diseñado para colocarse en el soporte de pared verticalmente.

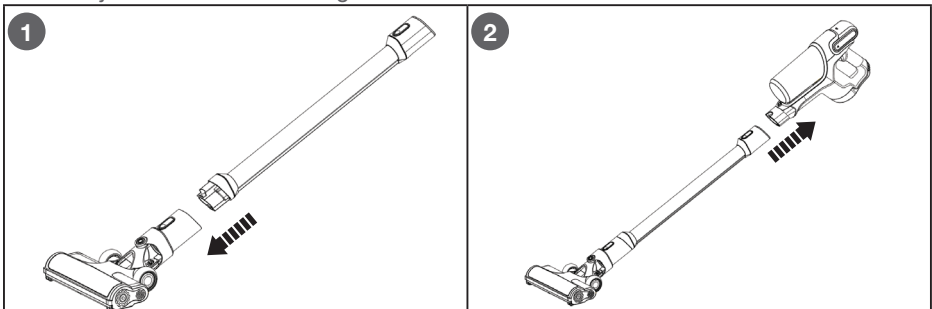
1. Seleccione una posición de instalación cerca de una toma de corriente.
2. Coloque el soporte de pared contra la superficie de montaje. Marque el centro de sendos orificios.
3. Mueva el soporte de pared. A continuación, realice dos orificios en las posiciones previamente marcadas con un taladro con broca de 6 mm.

**Observación:** No perforo tuberías ni cables de corriente debajo de la superficie durante la preparación de los orificios de montaje. Los puntos de fijación deben poder soportar todo el peso del producto.

4. Coloque los tacos de fijación en los orificios (no incluidos).
5. Fije el soporte de pared a la pared y apriete los dos tornillos M4x20.
6. Cuelgue el aparato.

#### 4.2 Montaje de la aspiradora de escoba

1. Introduzca el tubo en el conector de la boquilla para suelo, presionándolo hasta que quede bien sujeto.
2. Introduzca el cuerpo principal en la parte superior del tubo, presionándolo hasta que encaje firmemente en su lugar.



### 4.3 Montaje y desmontaje de accesorios

- **PRECAUCIÓN:** Antes de cambiar los accesorios, apague siempre el aspirador.
- **PRECAUCIÓN: ¡Riesgo de lesiones!** No sujete nunca la boquilla para grietas cerca del cuerpo ya que podría pegarse a la piel. Si la boquilla se queda pegada, apague inmediatamente el aparato.
- Todos los accesorios (la boquilla para rincones, la boquilla pequeña para suelo y la boquilla de cepillo redondo) se pueden conectar tanto al tubo como directamente al cuerpo principal.

### 4.4 Desmontaje

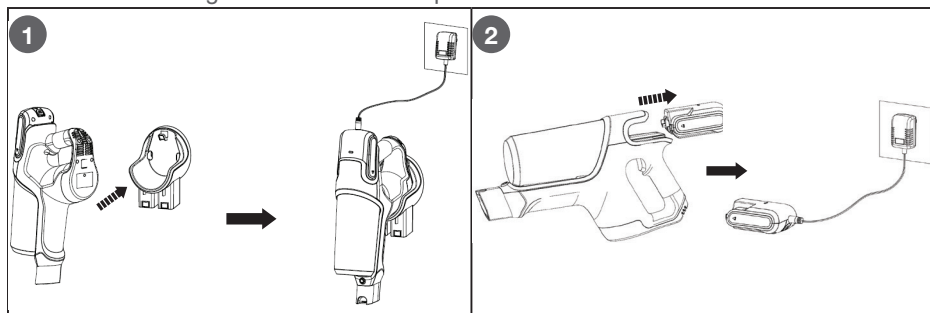
1. Para desconectar el tubo del cuerpo principal, pulse el botón de liberación del cuerpo principal y sepárelos.
2. Para utilizar uno de los tres accesorios, desconecte primero la boquilla para suelo o el tubo pulsando el botón de liberación.
3. Para desconectar cualquier accesorio, pulse el botón de liberación del cuerpo principal y extráigalo.

## 5. USO

### 5.1 Carga de la batería

#### Notas:

- Antes del primer uso, la batería de iones de litio debe estar completamente cargada, incluso si se entrega con una carga parcial.
  - Cargue el aparato únicamente con la fuente de alimentación suministrada.
  - No se puede utilizar el aparato mientras se está cargando.
  - Antes de realizar la carga, apague el aparato. El proceso de carga normal dura entre 4 y 5 horas. Para mantener el máximo rendimiento de la batería, se recomienda cargarla durante 4-5 horas una vez al mes si el aparato no se utiliza regularmente.
1. **Cargar la batería en la aspiradora de escoba:** Cuelgue el aparato en el soporte de pared. Conecte el punto de carga al puerto de carga situado en la parte superior de la batería.
  2. **Cargar la batería de la aspiradora de escoba externamente:** Para retirar la batería, pulse los botones de liberación y desplácela hacia atrás. Conecte el cargador al puerto de carga de la batería.
  3. Enchufe el cargador a una toma de pared.

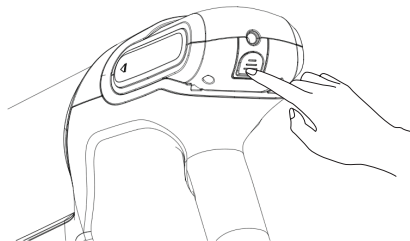


**Observación:** El indicador de carga parpadeará en color azul durante la carga. Pasa a verde cuando está totalmente cargada.

### 5.2 Funcionamiento del aspirador

1. Inserte el accesorio deseado en la abertura de aspiración del tubo o directamente en el cuerpo principal.

2. Pulse el botón de encendido para encender el aparato.
3. Este aparato cuenta con potencia de succión alta y baja. Para regular la potencia de succión, pulse el botón de potencia de succión que se encuentra en la batería.



ES

4. Tras finalizar el aspirado, vuelva a pulsar el botón de encendido para apagar el aparato.
5. Vacíe y limpie el depósito para el polvo. Cuelgue el aparato en el soporte de pared.

## 6. MANTENIMIENTO Y LIMPIEZA

**Observación:** Apague siempre el aparato y desconéctelo de la red eléctrica (si se está cargando) antes de cambiar los accesorios, limpiarlo o realizar el mantenimiento.

1. No sumerja el aparato, el cable de alimentación ni el adaptador en agua ni en otros líquidos.
2. Evite líquidos y materiales corrosivos. ¡No utilice productos de limpieza abrasivos, productos químicos, limpiacristales, limpiadores universales, desinfectantes o productos de mantenimiento a base de aceite! Estos productos pueden dañar el aparato.
3. No desmonte ni modifique el aparato. Los cambios o modificaciones anularán la garantía del usuario.
4. Para proteger la batería incorporada, guárdelo en un lugar seco a una temperatura de entre 0 y 40 °C y fuera del alcance de los niños y las mascotas.

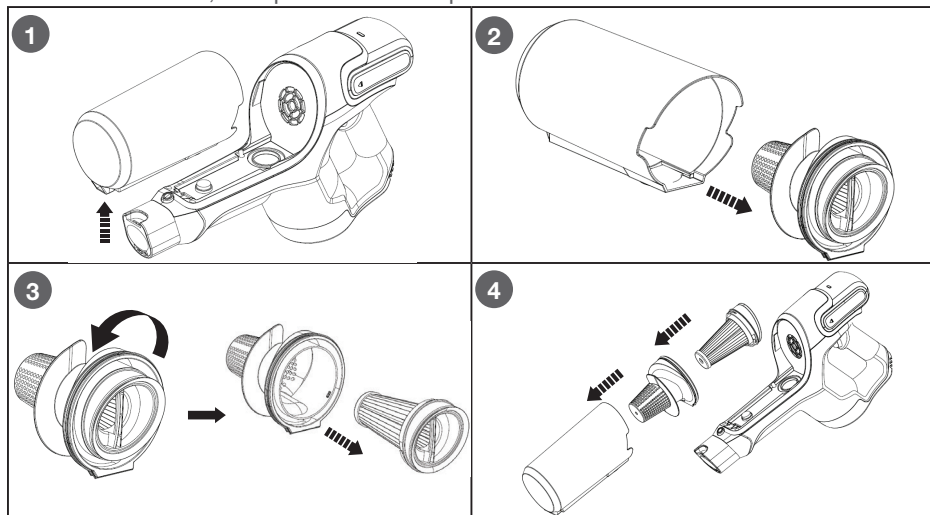
### 6.1 Limpieza del cuerpo principal y de los accesorios

1. Utilice un paño suave y húmedo para limpiar la suciedad del cuerpo principal. Asegúrese de que no entre agua dentro del aparato. Deje que se seque por completo antes de su uso.
2. Limpie los accesorios con un paño suave y húmedo y, si es necesario, un poco de detergente suave. Deje que se sequen por completo.

### 6.2 Limpieza del contenedor de polvo

1. Pulse el botón de liberación del depósito para el polvo y levántelo para separarlo del cuerpo principal. Tenga cuidado de no pulsar el botón de encendido.
2. Extraiga con cuidado el filtro y su protección que se encuentran dentro del contenedor de polvo. Vacíe el contenido del depósito para el polvo en un cubo de basura y límpielo con un paño húmedo, con un cepillo suave o enjuáguelo con agua fría si es necesario. Asegúrese de que el depósito para el polvo esté completamente seco antes de volver a instalarlo.
3. Retire el filtro de su protección girándolo en sentido contrario a las agujas del reloj y levantándolo. Limpie el filtro con un paño seco o un cepillo suave. Si es necesario, deje correr agua fría sobre el exterior del filtro y su protección hasta que el agua salga clara. Lave el filtro regularmente o cuando sea necesario. Coloque el filtro y su protección de lado para que se sequen completamente.

4. Cuando esté completamente seco, vuelva a instalar en primer lugar la protección del filtro en el contenedor de polvo. Coloque la protección del filtro y asegúrela girándola en el sentido de las agujas del reloj. Asegúrese de que esté bien colocado. A continuación, coloque el filtro en la protección del filtro.



5. Vuelva a montar el depósito para el polvo en el cuerpo principal.

### 6.3 Mantenimiento de la boquilla para suelo

**Observación:** Si pasa por encima de un objeto duro o afilado, o si nota algún cambio mientras aspira, compruebe si se ha producido un bloqueo o si hay objetos atrapados en el cepillo giratorio.

1. Para retirar el cepillo giratorio, pulse el botón de liberación del cepillo giratorio y se separará automáticamente. Extraiga con cuidado el cepillo giratorio del lateral.
2. Limpie el cepillo giratorio y elimine la suciedad más resistente, de haberla. Corte con unas tijeras los hilos o cabellos que se hayan enrollado en el cepillo giratorio. Limpie el compartimento del cepillo giratorio con un paño suave y húmedo. Déjelo secar completamente.
3. Vuelva a colocar el cepillo giratorio en su compartimento y encájelo firmemente.

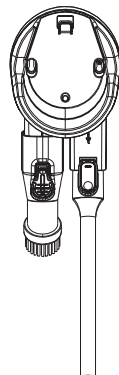
### 6.4 Comprobación de obstrucciones

#### 6.4.1 Comprobación de obstrucciones en el cuerpo principal

1. Apague el aparato.
2. Desconecte el tubo del cuerpo principal pulsando el botón de liberación del cuerpo principal.
3. Compruebe todas las aberturas de aspiración del depósito para el polvo y elimine cualquier residuo u obstrucción.

#### 6.4.2 Comprobación de obstrucciones en el tubo

1. Apague el aparato.
2. Desconecte el tubo del cuerpo principal pulsando el botón de liberación del cuerpo principal.
3. Desmonte la boquilla para suelo del tubo pulsando el botón de liberación de la boquilla para el suelo.
4. Limpie cualquier residuo u obstrucción.



### 6.5 Almacenamiento

Para almacenar la boquilla para rincones y la boquilla de cepillo redondo, utilice el soporte para accesorios del soporte de pared.



## 7. GARANTÍAS Y LÍMITES DE RESPONSABILIDAD

Este producto está garantizado durante un periodo de 36 meses (que incluye la garantía legal de 24 meses, como lo establece la legislación local, así como una garantía comercial adicional de 12 meses gratis ofrecida por la marca), a partir de la fecha de compra, frente a cualquier fallo como resultado de un defecto de fabricación o de material.

Esta garantía no cubre los daños resultantes de una instalación incorrecta, de una utilización indebida o del desgaste normal del producto. De forma más precisa, la garantía no cubre:

- Los daños o problemas causados por una utilización incorrecta, un accidente, una alteración o conexión eléctrica de intensidad o tensión inadecuada.
- Productos que han sido modificados o cuyo sello o número de serie a prueba de manipulaciones ha sido dañado, alterado, eliminado u oxidado.
- Las baterías reemplazables y los accesorios están garantizados por un periodo de 6 meses.
- El fallo de la batería debido a una carga demasiado prolongada o por no respetar las instrucciones de seguridad explicadas en el manual.
- Daños cosméticos, incluidos arañazos, golpes y cualquier otro elemento.
- Los daños causados por cualquier intervención que efectúe una persona no autorizada.
- Los fallos provocados por un desgaste normal o que se deban al envejecimiento normal del producto.
- Las actualizaciones del software que se deban a un cambio de parámetros de red.
- Los fallos del producto que se deban al uso de softwares terceros para cambiar, adaptar o modificar el existente.
- Los fallos del producto que se deban a su uso sin los accesorios autorizados por el fabricante.
- Los productos oxidados.

En ningún caso, el fabricante puede ser responsable de la pérdida de datos almacenados en el disco. Asimismo, el fabricante no está obligado a comprobar que las tarjetas SIM o SD hayan sido retiradas de los productos devueltos.

Los productos reparados o reemplazados pueden incluir componentes y equipos nuevos y/o reacondicionados.

### MÉTODOS DE USO

Para conseguir un servicio de garantía, lleve el producto a la recepción del lugar de venta junto con el comprobante de la compra (resguardo, factura, etc.) del producto y los accesorios incluidos en su embalaje original.

Es importante indicar la fecha de compra, el modelo y el número de serie o de IMEI (esta información aparece, por lo general, en el producto, el embalaje o su comprobante de compra).

A falta de ello, debe llevar el producto con los accesorios necesarios para su correcto funcionamiento (alimentación, adaptador, etc.).

En caso de que la garantía cubra su reclamación, el servicio posventa podrá, dentro de los límites de la legislación local:

- Reparar o reemplazar las piezas defectuosas.
- Cambiar el producto devuelto por uno que tenga, al menos, las mismas funcionalidades y que sea equivalente en cuanto a prestaciones.
- Reembolsar el producto al precio de compra mencionado en el comprobante de compra.

En caso de que la garantía cubra su reclamación, la duración de la garantía se prolongará 6 meses; sin embargo, bajo ninguna circunstancia, es acumulable en caso de averías recurrentes.

# ÍNDICE:


1. INSTRUÇÕES DE SEGURANÇA	P. 42
2. ESPECIFICAÇÕES TÉCNICAS	P. 49
3. DESCRIÇÃO DO PRODUTO	P. 50
4. INSTALAÇÃO	P. 50
5. UTILIZAÇÃO	P. 51
6. MANUTENÇÃO E LIMPEZA	P. 52
7. GARANTIAS E LIMITES DE RESPONSABILIDADE	P. 54

PT

## 1. INSTRUÇÕES DE SEGURANÇA

Antes de usar este produto, leia atentamente as presentes instruções e guarde o manual de instruções para consulta futura.


1. Este aparelho pode ser utilizado por crianças a partir dos 8 anos e por pessoas com capacidades físicas, sensoriais ou mentais reduzidas ou com falta de experiência e conhecimento, se forem supervisionadas ou se tiverem tido formação relativa à utilização do aparelho de uma forma segura e se compreenderem os perigos envolvidos.
2. As crianças não devem brincar com o aparelho.
3. A limpeza e a manutenção da responsabilidade do utilizador não deverão ser feitas por crianças não supervisionadas.
4. O cabo de alimentação deve ser examinado regularmente para verificar a existência de danos ou deterioração. Se o cabo de alimentação estiver danificado, deve ser substituído por um cabo especial ou por um conjunto disponível no fabricante ou fornecedor de serviços. Não use o cabo de alimentação se estiver danificado, pois pode provocar um choque elétrico ou um incêndio.
5. O aparelho deve apenas ser utilizado com a respetiva unidade de fonte de alimentação fornecida.

6.  **AVISO:** Para efeitos de carregamento da bateria, utilize apenas a unidade de alimentação amovível (JOD-S-270050GS) fornecida com este aparelho.
7. Este aparelho contém baterias não substituíveis.
8. A ficha deve ser desligada da tomada elétrica antes da limpeza ou manutenção do aparelho.
9. É necessário tomar precauções durante a manutenção. Consulte a secção **“MANUTENÇÃO E LIMPEZA”** para efetuar a manutenção e limpeza do aparelho.
10. **ATENÇÃO:** Apenas para utilização doméstica e no interior! Não utilize o aparelho em ambientes exteriores.
11. Não use este aparelho se ele tiver sofrido uma queda, se houver sinais visíveis de danos ou se a bateria recarregável estiver a vazar.
12. Mantenha o cabelo, roupas largas, dedos e todas as partes do corpo afastadas das aberturas.
13. **AVISO:** Nunca use o aparelho sem o filtro. Para conseguir uma aspiração ótima necessita de um filtro limpo e um depósito vazio.
14. Não use acessórios que não os disponibilizados pelo fabricante para evitar danificar o aparelho e/ou causar danos.
15. Desligue o aparelho antes de mudar os acessórios.
16. Consulte o parágrafo **5.1 Carregar o conjunto da bateria** para informações sobre o carregamento.
17. Consulte a secção **2. ESPECIFICAÇÕES TÉCNICAS** para a referência das baterias.
18. Certifique-se sempre de ter as mãos secas antes de tocar na ficha ou ligar o aparelho.
19. Nunca manuseie o aspirador portátil nem a estação de carregamento com mãos húmidas ou molhadas.
20. Não use um fio de abastecimento ou uma ficha danificados ou uma tomada solta.

21. Desenrole totalmente o cabo de alimentação antes da utilização. Não carregue o aparelho enquanto o cabo de alimentação estiver enrolado, pois isso pode causar sobreaquecimento. Não dobre, estique ou puxe o cabo de alimentação para evitar choques elétricos.
22. Não passe o cabo de abastecimento sobre arestas afiadas.
23. Não deixe o cabo de alimentação pendurado sobre arestas, a tocar em superfícies quentes, nem deixe que ganhe nós. Não coloque objetos pesados em cima do cabo de alimentação que possam danificá-lo.
24. Nunca puxe a ficha de alimentação da tomada pelo cabo de alimentação, nem puxe o cabo de alimentação para direcionar o aparelho.
25. Antes de ligar à corrente, certifique-se de que não há pó ou água na ficha.
26. Ligue a ficha a uma tomada de fácil acesso, para desligar rapidamente o aparelho da tomada no caso de uma emergência.
27. Por motivos de segurança, é recomendado que ligue o aparelho diretamente a uma tomada elétrica individual num circuito dedicado, separado de outros aparelhos. Se o circuito elétrico estiver sobrecarregado com outros aparelhos, o aparelho poderá não funcionar corretamente. Não é recomendada a utilização de uma tomada múltipla ou de uma extensão elétrica.
28. Não deixe o cabo de alimentação exposto no chão.
29. Posicione sempre o cabo de alimentação de modo a que ninguém tropece nem fique enredado nele.
30. Não mergulhe o produto em água. Não use perto de água.
31. Não use o aparelho, se tiver caído dentro de água ou de outro líquido. Este deve ser reparado por um técnico qualificado.


32. Não coloque o aparelho sob a luz direta do sol ou num espaço fechado com pouca ventilação ou onde houver outras fontes de calor.
33. Não exponha o aparelho à chuva, em locais molhados ou húmidos.
34. Não ligue o aparelho, se o mesmo estiver visivelmente danificado.
35. É recomendado que inspecione regularmente o aparelho.
36. Remova e desfaça-se em segurança de qualquer material de embalagem e etiquetas promocionais antes de utilizar o aparelho pela primeira vez. Não remova os rótulos de classificação e as informações de segurança!
37. Guarde e opere o aspirador apenas em locais que estejam à temperatura ambiente. É proibida a utilização do produto a temperaturas extremamente baixas (abaixo de 0 °C) ou altas (acima de 40 °C).
38. Nunca o utilize para recolher o que quer que seja com fumo ou a arder, como cigarros, brasas quentes ou fósforos.
39. Nunca o utilize para recolher líquidos inflamáveis ou combustíveis, tais como álcool, gasolina, acetona, etc., nem em áreas onde estes possam estar presentes.
40. Nunca o utilize para recolher objetos afiados e duros, como vidro partido, aparas metálicas, moedas, pregos, parafusos, etc.
41. Nunca o utilize para recolher materiais corrosivos ou tóxicos, tais como ácidos minerais, soluções alcalinas, oxidantes, produtos de limpeza de canos, lixívia, amoníaco, etc.
42. Nunca o utilize em espaços fechados com vapores emitidos por pintura à base de óleo, substâncias de impermeabilização contra a traça, diluente, poeiras inflamáveis, ou outros vapores tóxicos ou explosivos.

43. Não use o aparelho para aspirar água, líquidos ou lama.
44. Evite utilizar o aspirador em locais com candeeiros de secretária e velas no chão, bem como em locais com gasolina, álcool destilado, diluente, cinzeiros com cigarros acesos, etc.
45. Nunca provoque o curto-circuito dos pinos de carregamento com objetos metálicos, tais como chaves de fendas, etc.
46. **ATENÇÃO:** Não abra o aparelho em circunstância alguma. Nunca insira os dedos ou objetos estranhos em qualquer abertura do aparelho e não obstrua as aberturas de ventilação. As ranhuras da ventilação devem ser mantidas livres, para que o aparelho funcione corretamente e seja evitado o perigo de sobreaquecimento. Não cubra o aparelho.
47. Antes de cada utilização, certifique-se de que as aberturas estão livres de pó, pelos, algodão e outros elementos que possam reduzir o fluxo.
48. As reparações só devem ser realizadas por técnicos autorizados. Os utilizadores e outras pessoas não autorizadas não devem tentar reparar ou desmontar o produto. As reparações inadequadas podem conduzir a perigos significativos.
49. A tensão de alimentação deve ser a mesma do que a indicada nas especificações técnicas e na placa de características do aparelho.
50. Verifique se o aspirador está intacto. **NÃO** use se estiver danificado.
51. Se os pernos das fichas estiverem danificados, a fonte de alimentação deve ser inutilizada.

52.  Esta marcação indica que o produto não deve ser eliminado juntamente com os resíduos domésticos. Para prevenir potenciais danos ambientais ou riscos para a saúde humana resultantes de uma eliminação incorreta dos resíduos, opte por reciclar o aparelho de forma responsável e promova a reutilização sustentável de recursos materiais. Para eliminar o seu aparelho usado, use os sistemas de recolha e de retoma ou contacte o revendedor onde adquiriu o aparelho. Estes poderão receber o produto para a respetiva reciclagem ecologicamente segura.

### 1.1 INSTRUÇÕES DE SEGURANÇA DA BATERIA

53. **AVISOS:** O aspirador vertical contém baterias não substituíveis. As baterias usadas não podem ser eliminadas no lixo doméstico. As baterias têm de ser retiradas do aparelho antes de o mesmo ser eliminado. Para remover as baterias, leve o aparelho a um local de eliminação/recolha indicado. Para sua segurança, não tente retirar as baterias. Se as baterias não forem retiradas corretamente, podem ocorrer danos às baterias e ao aparelho, ferimentos pessoais e/ou fazer com que o aparelho não seja seguro.
54. Abandonar uma bateria num ambiente com uma temperatura extremamente elevada, que possa resultar em explosão ou fuga do líquido inflamável ou gás.
55. Uma bateria sujeita a pressão de ar extremamente baixa, que possa resultar em explosão ou fuga do líquido ou gás inflamável.
56. Se o fluido da pilha vazar e entrar em contacto com os olhos, pele ou roupa, lave imediatamente com água limpa em abundância. Contacte imediatamente o seu médico em caso de contacto com os olhos ou pele.

57. As baterias são uma unidade selada e em circunstâncias normais não oferecem preocupações de segurança. Na eventualidade de o líquido vaziar da bateria, não toque no líquido e siga as seguintes precauções:
- **Contacto com a pele:** pode causar irritação. Lave com sabão e água.
  - **Inalação:** pode causar irritação respiratória. Apanhe ar fresco e procure aconselhamento médico.
  - **Contacto com os olhos:** pode causar irritação. Lave imediata e abundantemente os olhos com água durante, pelo menos, 15 minutos. Procure assistência médica.
  - **Eliminação:** use luvas para manusear a bateria e elimine-a imediatamente, seguindo os despachos e regulamentações locais.
58.  As baterias não devem ser eliminadas com o lixo comum doméstico. Recicle-as em pontos de recolha apropriados para este fim. Contacte as autoridades locais ou o seu revendedor se tiver questões sobre a reciclagem. A eliminação correta de baterias usadas ajuda a proteger o ambiente e a saúde pública.



## 2. ESPECIFICAÇÕES TÉCNICAS

Bateria recarregável	Iões de Lítio 22.2 V <sub>nom</sub> , 2000 mAh (C6) 6INR19/66
Tensão nominal	21.6 V <sub>nom</sub>
Potência atribuída	130 W
Tempo de funcionamento em potência de aspiração baixa	30 minutos
Tempo de funcionamento em potência de aspiração alta	15 minutos
Potência nominal do bocal para o chão	15 W
Tempo de carregamento	4-5 horas
Capacidade do depósito	0,5 L
Nível de potência sonora	78 dB
Potência de aspiração	5-8 kPa, 27,5 W
Peso líquido (sem acessórios)	2,28 kg
Dimensão do produto em mm	1100 x 250 x 220 mm

PT

### 2.1 Informações técnicas do adaptador

Nome ou marca registada, número de registo comercial e endereço do fabricante	Shenzhen Jodeway Technology Co.,Ltd. 43rd Rifu Road, Baishixia East Area, Fuyong Street, Baoan District, Shenzhen, Guangdong, P. R. CHINA	
Identificador do modelo	JOD-S-270050GS	-
Tensão de entrada	100-240	V~
Frequência de CA de entrada	50-60	Hz
Tensão de saída	27.0	V <sub>nom</sub>
Corrente de saída	0,5	A
Potência de saída	13.5	W
Eficiência ativa média	88,10	%
Eficiência a carga mínima (10%)	/	%
Consumo energético sem carga	0,068	W

### 3. DESCRIÇÃO DO PRODUTO

- |  |   |
|--|---|
| 1. Filtro                                | 15. Botão para libertar o conjunto da bateria       |
| 2. Proteção do filtro                    | 16. Adaptador                                       |
| 3. Depósito                              | 17. Suporte de parede                               |
| 4. Botão para libertar o corpo principal | 18. Botão para libertar o bocal para o chão         |
| 5. Tubo                                  | 19. Bocal da escova redonda                         |
| 6. Interruptor de alimentação            | 20. Botão para libertar a escova de rolo            |
| 7. Pega                                  | 21. Escova de rolo                                  |
| 8. Botão para libertar o depósito        | 22. Luz LED   |
| 9. Corpo principal                       | 23. Bocal para fendas                               |
| 10. Aberturas de ventilação              | 24. Ferramenta motorizada para animais de estimação |
| 11. Conjunto da bateria                  |   |
| 12. Luz indicadora                       |   |
| 13. Ranhura de carregamento              |   |
| 14. Botão de potência de aspiração       |   |

PT

### 4. INSTALAÇÃO

**Nota:** O aspirador vertical não fica de pé sozinho e deve ser sempre colocado no suporte de parede entre utilizações, ou pousado horizontalmente no chão num local adequado, onde não exista o risco de alguém tropeçar ou de este ser pisado. Mantenha o aparelho afastado de crianças e animais.

#### 4.1 Montar o suporte de parede

O produto está concebido para assentar verticalmente no suporte de parede.

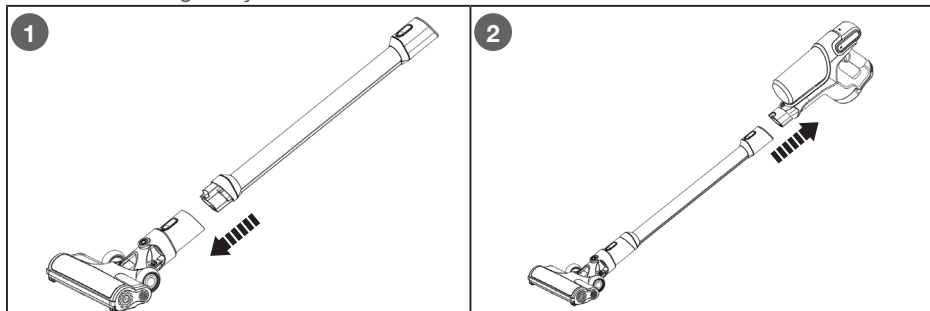
1. Selecione um local de instalação que se encontre perto de uma tomada elétrica.
2. Coloque o suporte de parede contra a superfície de montagem. Marque os centros de ambos os furos.
3. Mova o suporte de parede. De seguida, use um berbequim elétrico com uma broca de 6 mm para efetuar 2 furos nas posições marcadas.

**Nota:** Não perfure quaisquer canos ou cabos de alimentação sob a superfície durante a preparação dos furos de montagem. Os pontos de fixação têm de ser capazes de suportar o peso total do produto.

4. Enfie buchas de plástico nos furos (não incl. no conjunto).
5. Encaixe o suporte de parede na parede e aperte dois parafusos M4x20.
6. Pendure o aparelho.

#### 4.2 Montar o aspirador vertical

1. Insira o tubo no conetor do bocal para o chão, pressionando-o até clicar em segurança no encaixe.
2. Pressione o corpo principal na parte superior do tubo extensível para o inserir até clicar em segurança no encaixe.



### 4.3 Encaixe e remoção de acessórios

- **ATENÇÃO:** Antes de mudar os acessórios, desligue sempre o aspirador.
- **ATENÇÃO: Risco de lesões!** Nunca aproxime a ranhura do bocal do seu corpo, pois pode colar-se à pele. Se o bocal ficar preso, desligue o aparelho imediatamente.
- Todos os três acessórios, nomeadamente, o bocal para fendas, o pequeno bocal para o chão e o bocal de escova redonda, podem ser conectados ao tubo e diretamente ao corpo principal.

### 4.4 Desmontar

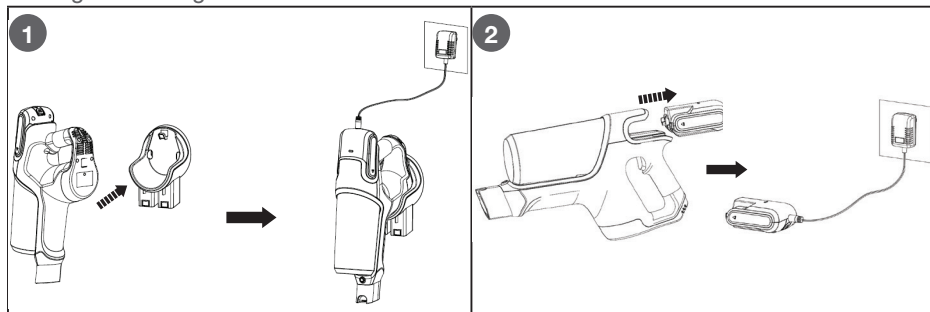
1. Para desconectar o tubo do corpo principal, prima o botão para libertar o corpo principal e separe-o.
2. Para usar um dos três acessórios, desconecte primeiro o bocal para o chão ou o tubo premindo o botão para libertar.
3. Para desconectar qualquer acessório, prima o respetivo botão para libertar e puxe-o para fora.

## 5. UTILIZAÇÃO

### 5.1 Carregar o conjunto da bateria

#### Notas:

- Antes do primeiro uso, a bateria de íões de lítio deve ser completamente carregada, mesmo que possua uma carga parcial.
  - Carregue apenas o aparelho usando a unidade de alimentação fornecida!
  - O aparelho não pode ser usado quando está a carregar.
  - Antes de carregar, desligue o aparelho. O processo regular de carregamento deverá durar 4 a 5 horas. Para manter o desempenho máximo da bateria, recomenda-se que carregue a bateria durante 4 a 5 horas, uma vez por mês, se o aparelho não for usado regularmente.
1. **Carregar a bateria no aspirador vertical:** Pendure o aparelho no respetivo suporte de parede. Ligue a ponta do carregador à porta de carregamento na parte superior do conjunto da bateria.
  2. **Carregar a bateria fora do aspirador vertical:** Para remover a bateria, aperte os botões para libertar a bateria e deslize para trás. Ligue o carregador à porta de carregamento na bateria.
  3. Ligue o carregador a uma tomada elétrica.

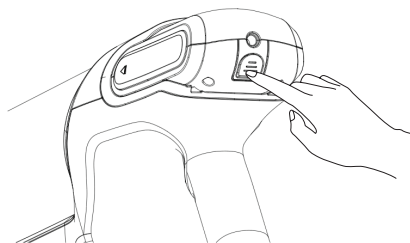


**Nota:** O indicador de carga pisca a azul durante o carregamento. Fica verde quando a carga está completa.

### 5.2 Operar o aspirador

1. Insira o acessório pretendido na abertura de aspiração do tubo ou diretamente no corpo principal.

2. Prima o botão de alimentação para ligar o aparelho.
3. Este aparelho possui potência de aspiração baixa ou alta. Para regular a potência de aspiração, prima o botão de potência de aspiração no conjunto da bateria.



4. Após acabar de aspirar, prima novamente o botão de alimentação para desligar o aparelho.
5. Esvazie e limpe o depósito. Pendure o aparelho no respetivo suporte de parede.

## 6. MANUTENÇÃO E LIMPEZA

**Nota:** Desligue sempre o aparelho, inclusive da alimentação (se estiver a carregar) antes de mudar os acessórios, limpar ou efetuar a manutenção.

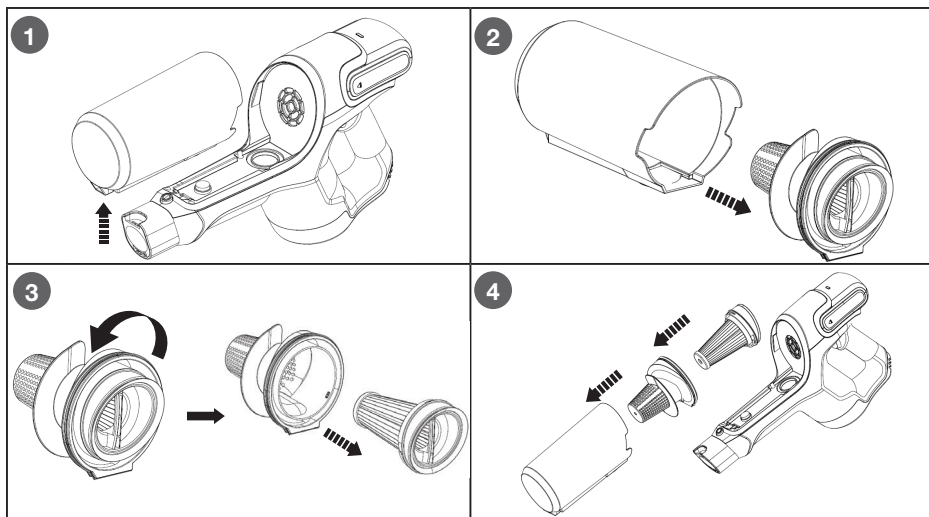
1. Não submerja o aparelho, o cabo de alimentação e adaptador em água ou noutros líquidos.
2. Evite líquidos e materiais corrosivos. Não use quaisquer produtos de limpeza abrasivos, químicos, limpa-vidros, produtos de limpeza universais, agentes desinfetantes ou agentes de manutenção à base de óleo! Estes produtos podem danificar o aparelho.
3. Não desmonte nem modifique o aparelho. Alterações ou modificações anularão a garantia do utilizador.
4. Para proteger a bateria incorporada, mantenha-a num local seco a uma temperatura entre 0-40°C e fora do alcance de crianças e animais.

### 6.1 Limpar o corpo principal e os acessórios

1. Use um pano húmido e macio para limpar qualquer pó do corpo principal. Preste atenção para não permitir que a água entre no interior do aparelho. Deixe secar completamente antes de usar.
2. Limpe os acessórios com um pano húmido e macio e, se necessário, um pouco de detergente suave. Deixe secar completamente.

### 6.2 Limpeza do compartimento do pó

1. Prima o botão para libertar o depósito e puxe-o para cima para separar o depósito do corpo principal. Tenha cuidado para não premir o botão de alimentação.
2. Puxe com cuidado o filtro e a sua proteção do compartimento do pó no depósito. Esvazie o conteúdo do depósito para um caixote do lixo e limpe-o com um pano húmido, uma escova macia ou passe por água fria, se necessário. Certifique-se de que o compartimento do pó se encontra completamente seco antes de o instalar novamente.
3. Para remover o filtro da proteção do filtro, rode-o no sentido contrário ao dos ponteiros do relógio e puxe-o para cima. Limpe o filtro com um pano seco e uma escova macia. Passe água fria pela parte exterior do filtro e da proteção do filtro até que a água saia limpa, se necessário. Lave o filtro regularmente ou conforme necessário. Coloque o filtro e a proteção do filtro de lado para secarem completamente.
4. Depois de completamente secos, volte a instalar em primeiro lugar a proteção do filtro no compartimento do pó. Coloque-o na proteção do filtro e rode-o no sentido dos ponteiros do relógio para o bloquear na posição. Certifique-se de que está corretamente encaixado. Depois, coloque o filtro na proteção do filtro.



5. Volte a colocar o depósito no corpo principal.

### 6.3 Conservação do bocal para o chão

**Nota:** Se passar por cima de um objeto duro ou afiado ou se notar uma mudança do ruído ao aspirar, verifique se há bloqueios ou objectos presos na escova de rolo.

1. Para remover a escova de rolo, prima o botão para libertar a escova de rolo e esta salta automaticamente. Puxe suavemente a escova de rolo para fora lateralmente.
2. Limpe a escova de rolo e remova qualquer sujidade teimosa. Corte quaisquer fios ou cabelos que tenham ficado enrolados à volta da escova de rolo com uma tesoura. Limpe o compartimento da escova de rolo com um pano suave humedecido. Deixe secar completamente.
3. Volte a colocar a escova de rolo no seu compartimento até bloquear em segurança no encaixe.

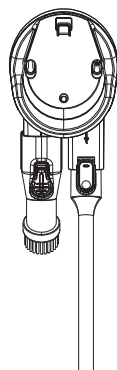
### 6.4 Verificação de bloqueios

#### 6.4.1 Verificação de bloqueios no corpo principal

1. Desligue o aparelho.
2. Para desconectar o tubo do corpo principal, prima o botão para libertar o corpo principal.
3. Verifique todas as aberturas de entrada do depósito e remova quaisquer detritos ou bloqueios.

#### 6.4.2 Verificação de bloqueios no tubo

1. Desligue o aparelho.
2. Para desconectar o tubo do corpo principal, prima o botão para libertar o corpo principal.
3. Para desmontar o bocal para o chão do tubo, prima o botão para libertar o bocal para o chão.
4. Limpe quaisquer detritos e bloqueios.



### 6.5 Armazenamento

Para armazenar a ferramenta para fendas e o bocal da escova redonda, use o suporte para acessórios que se encontra no suporte de parede.

## 7. GARANTIAS E LIMITES DE RESPONSABILIDADE

Este produto possui garantia durante um período de 36 meses (incluindo a garantia legal de 24 meses, tal como definido pela legislação local, bem como uma garantia comercial de 12 meses adicional oferecida pela marca) a partir da data de compra, contra qualquer falha resultante de um defeito de fabrico ou de material.

Esta garantia não cobre danos resultantes de má instalação, utilização incorreta ou do desgaste normal do produto. Mais precisamente, a garantia não cobre:

- Danos ou problemas causados pela utilização incorreta, acidentes, alteração ou ligação elétrica com corrente ou tensão incorretas.
- Produtos modificados, aqueles em que o selo de garantia ou o número de série tenham sido danificados, alterados, eliminados ou oxidados.
- Baterias substituíveis e acessórios que possuem uma garantia de 6 meses.
- Falha da bateria devido a um carregamento demasiado prolongado ou devido ao desrespeito das instruções de segurança explicadas no manual.
- Danos estéticos, incluindo riscos, saliências e qualquer outro elemento.
- Danos causados por qualquer intervenção efetuada por qualquer pessoa não autorizada.
- Defeitos causados pelo desgaste normal ou devidos ao envelhecimento normal do produto.
- Atualizações do programa, devido a alterações nas configurações de rede.
- Falhas no produto devido à utilização de programas de terceiros para modificar, alterar, adaptar ou modificar o já existente.
- Falhas do produto devido à utilização sem os acessórios homologados pelo fabricante.
- Produtos oxidados.

Em caso algum, o fabricante pode ser responsabilizado pela perda de dados armazenados no disco. Além disso, o fabricante não tem que verificar se os cartões SIM/SD foram devidamente retirados dos produtos devolvidos.

Os produtos reparados ou substituídos podem incluir componentes e equipamentos novos e/ou reconicionados.

### MÉTODOS DE ACIONAMENTO

Para obter um serviço de garantia, deve trazer o seu produto ao local de venda juntamente com o comprovativo de compra (talão de caixa, fatura, etc.) do produto e os respetivos acessórios fornecidos com a sua embalagem original.

É importante ter conhecimento da data de compra, do modelo e do número de série ou IMEI (estas informações aparecem habitualmente no produto, na embalagem ou no comprovativo de compra).

Caso contrário, deve trazer o produto com os acessórios necessários para o seu correto funcionamento (alimentação, adaptador, etc.).

No caso em que a sua reclamação seja coberta pela garantia, o serviço pós-venda poderá, dentro dos limites da legislação local:

- Reparar ou substituir as peças defeituosas.
- Trocar o produto entregue por um produto que tenha, pelo menos, as mesmas funcionalidades e que seja equivalente em termos de desempenho.
- Reembolsar o produto pelo preço de compra mencionado no comprovativo de compra.

No caso de uma reparação coberta pela garantia, esta estende-se por um período de 6 meses, mas não é, em caso algum, acumulável em caso de avarias repetidas.

# SPIS TREŚCI:


1. INSTRUKCJE BEZPIECZEŃSTWA	S. 55
2. SPECYFIKACJA TECHNICZNA	S. 62
3. OPIS PRODUKTU	S. 63
4. INSTALACJA	S. 63
5. OBSŁUGA	S. 64
6. KONSERWACJA I CZYSZCZENIE	S. 65
7. GWARANCJA I OGRANICZENIE ODPOWIEDZIALNOŚCI	S. 67

PL

## 1. INSTRUKCJE BEZPIECZEŃSTWA

Przed użyciem urządzenia należy dokładnie przeczytać niniejszą instrukcję obsługi i zachować ją w celu skorzystania w przyszłości.

1. Z niniejszego urządzenia mogą korzystać dzieci od lat 8 oraz osoby o ograniczonych zdolnościach fizycznych, sensorycznych i umysłowych lub nieposiadające doświadczenia i wiedzy, jeśli pozostają pod nadzorem lub zostały poinstruowane odnośnie do korzystania z urządzenia w bezpieczny sposób i rozumieją związane z tym zagrożenia.
2. Dzieci nie powinny bawić się urządzeniem.
3. Czyszczenie i konserwacja dokonywane przez dzieci nie powinny odbywać się bez nadzoru.
4. Kabel zasilający powinien być regularnie sprawdzany w celu potwierdzenia braku uszkodzeń lub śladów zużycia. Jeśli kabel zasilający jest uszkodzony, należy go wymienić na specjalny przewód lub zespół dostępny u producenta lub jego przedstawiciela serwisowego. Nie wolno używać uszkodzonego kabla zasilającego, ponieważ może to spowodować porażenie prądem lub pożar.
5. Urządzenie może być używane wyłącznie z zasilaczem, który został dostarczony wraz z urządzeniem.


6.  **OSTRZEŻENIE:** Aby naładować baterię, korzystać wyłącznie z odłączanego zasilacza (JOD-S-270050GS) dostarczonego z urządzeniem.
7. Urządzenie zawiera niewymienne baterie.
8. Przed czyszczeniem lub konserwacją urządzenia należy odłączyć wtyczkę od gniazda zasilania.
9. Konieczne jest podjęcie środków ostrożności podczas konserwacji przez użytkownika. Informacje na temat czyszczenia i konserwacji urządzenia zamieszczone są w sekcji “**KONSERWACJA I CZYSZCZENIE**”.
10. **OSTROŻNIE:** Wyłącznie do użytku domowego, wewnątrz pomieszczeń! Nie używać urządzenia na zewnątrz.
11. Nie używać urządzenia, jeśli zostało ono upuszczone, jeśli nosi widoczne ślady uszkodzenia lub jeżeli akumulator przecieka.
12. Nie należy zbliżać włosów, luźnej odzieży, palców i innych części ciała do otworów urządzenia.
13. **OSTRZEŻENIE:** Nigdy nie używać urządzenia bez filtra. Optymalne zbieranie pyłu jest możliwe tylko przy czystym filtrze i pustym pojemniku na kurz.
14. Nie używać żadnych akcesoriów innych niż te dołączone przez producenta, aby uniknąć uszkodzenia urządzenia i/lub spowodowania obrażeń.
15. Wyłączyć urządzenie przed wymianą akcesoriów.
16. Informacje na temat ładowania zamieszczone są w rozdziale **5.1 Ładowanie akumulatora**.
17. Patrz rozdział **2. SPECYFIKACJA TECHNICZNA**, gdzie zamieszczone są informacje o typie akumulatorów.
18. Przed dotknięciem wtyczki lub włączeniem urządzenia zawsze upewnij się, że masz suche dłonie.



19. Nigdy nie należy obsługiwać odkurzacza ręcznego i jego stacji ładującej wilgotnymi lub mokrymi rękami.
20. Nie używać uszkodzonego kabla zasilającego, wtyczki ani obluzowanego gniazda sieciowego.
21. Przed użyciem całkowicie rozwinąć kabel zasilający. Nie należy ładować urządzenia, gdy kabel zasilający jest zwinięty, ponieważ może to spowodować przegrzanie. Nie należy zginać, rozciągać ani ciągnąć za kabel zasilający, aby uniknąć porażenia prądem.
22. Nie należy prowadzić kabla zasilającego nad ostrymi krawędziami.
23. Nie wolno dopuścić, aby kabel zasilający zwisał z krawędzi, dotykał gorących powierzchni lub był zaplątany. Nie umieszczać na kablu zasilającym ciężkich przedmiotów, które mogłyby go uszkodzić.
24. Nigdy nie należy wyciągać wtyczki z gniazdka za pomocą kabla zasilającego, ani nie należy ciągnąć za kabel zasilający, aby manewrować urządzeniem.
25. Przed podłączeniem do gniazdka upewnić się, że na wtyczce nie ma kurzu ani wody.
26. Podłączyć wtyczkę kabla zasilającego do łatwo dostępnego gniazdka, aby w sytuacji awaryjnej móc szybko odłączyć urządzenie od sieci zasilającej.
27. Ze względów bezpieczeństwa zaleca się podłączenie urządzenia bezpośrednio do niezależnego gniazda elektrycznego na dedykowanym obwodzie, oddzielnym od innych urządzeń. Jeśli obwód elektryczny jest przeciążony innymi urządzeniami, urządzenie może nie działać prawidłowo. Nie zaleca się stosowania w połączeniu z listwą zasilającą lub przedłużaczem.
28. Nie pozostawiać kabla zasilającego na otwartej przestrzeni na podłodze.
29. Zawsze umieszczać kabel zasilający tak, aby nikt nie mógł się o niego potknąć ani w niego zaplątać.


30. Nie zanurzać urządzenia w wodzie. Nie korzystać z urządzenia w pobliżu wody.
31. Nie korzystać z urządzenia, jeśli wpadło do wody lub innej cieczy. Zlecić sprawdzenie urządzenia wykwalifikowanemu serwisantowi.
32. Nie umieszczać urządzenia w miejscu narażonym na bezpośrednie działanie promieni słonecznych lub w zamkniętej przestrzeni, gdzie wentylacja jest ograniczona, lub gdzie znajdują się inne źródła ciepła.
33. Nie narażać na działanie deszczu, wilgotnych ani mokrych warunków.
34. Nie uruchamiać urządzenia, jeśli jest ono widocznie uszkodzone.
35. Zaleca się regularne sprawdzanie urządzenia.
36. Przed pierwszym użyciem urządzenia usunąć i bezpiecznie wyrzucić wszelkie materiały opakowaniowe oraz etykiety promocyjne. Nie usuwać tabliczek znamionowych ani informacji dotyczących bezpieczeństwa!
37. Odkurzacznę należy przechowywać i obsługiwać wyłącznie w temperaturze pokojowej. Zabrania się stosowania produktu w skrajnie niskich (poniżej 0°C) lub wysokich (powyżej 40°C) temperaturach.
38. Nigdy nie używać do zbierania niczego, co się dymi lub pali, np. papierosów, gorących popiołów lub zapalek.
39. Nigdy nie używać do zbierania łatwopalnych lub palnych cieczy, takich jak spirytus metylowy, benzyna, aceton itp. ani nie używać na obszarze, gdzie mogą one występować.
40. Nigdy nie używać do zbierania ostrych i twardych przedmiotów, takich jak kawałki szkła, odłamki metali, monety, gwoździe, śruby itp.
41. Nigdy nie używać do zbierania materiałów żrących lub toksycznych, takich jak kwasy mineralne, roztwory alkaliczne, utleniacze, środki do czyszczenia kanalizacji, wybielacze chlorowe, amoniak itp.

42. Nigdy nie używać w zamkniętej przestrzeni wypełnionej oparami farb olejnych, środków przeciw molom, rozcieńczalników do farb, łatwopalnych pyłów lub innymi toksycznymi lub wybuchowymi oparami.
43. Nie używać urządzenia do odkurzania jakichkolwiek płynów lub mokrych zanieczyszczeń.
44. Unikać używania odkurzacza ręcznego w miejscach, gdzie na podłodze znajdują się lampy biurkowe i świece, a także w miejscach, gdzie znajduje się benzyna, alkohol destylowany, rozcieńczalniki, popielniczki z palącymi się papierosami itp.
45. Nie wolno zwierać terminali ładowania za pomocą metalowych przedmiotów, takich jak śrubokręty itp.
46. **OSTROZNIE:** Pod żadnym pozorem nie wolno otwierać obudowy. Nigdy nie wolno jest wkładać palców ani żadnych obcych przedmiotów do otworów w urządzeniu ani zatykać otworów wentylacyjnych. Otwory wentylacyjne powinny być drożne, aby urządzenie pracowało prawidłowo i aby zapobiec niebezpiecznemu przegrzaniu. Nie należy przykrywać urządzenia.
47. Przed każdym użyciem upewnić się, że otwory są wolne od kurzu, włosów, kłaczek i wszystkiego, co może ograniczać przepływ powietrza.
48. Naprawy mogą być wykonywane wyłącznie przez autoryzowanych techników. Użytkownicy lub inne nieupoważnione osoby nie powinny podejmować prób naprawy lub demontażu produktu. Niewłaściwe naprawy mogą spowodować poważne zagrożenia.
49. Napięcie zasilania powinno być takie samo, jak podane w specyfikacji technicznej i na tabliczce znamionowej urządzenia.
50. Należy sprawdzić, czy odkurzacz nie jest uszkodzony. **NIE** używać, jeśli jest uszkodzony.
51. Jeśli styki części wtykowych są uszkodzone, zasilacz wtykowy należy zutylizować.

52.  Ten znak wskazuje, że na terenie UE produkt nie powinien być wyrzucany z odpadami domowymi. Aby uniknąć skażenia środowiska i zagrożenia zdrowia ludzi wynikającego z niekontrolowanej utylizacji odpadów, należy poddać produkt recyklingowi, który umożliwi odzyskanie części surowców. Aby poprawnie zutylizować zużyte urządzenie, należy skorzystać z systemów zwrotu i odbioru elektrośmieci lub skontaktować się z punktem sprzedaży, w którym produkt został nabyty. Pozwoli to na zapewnienie bezpiecznego dla środowiska recyklingu urządzenia.

### 1.1 ZALECENIA DOTYCZĄCE BEZPIECZEŃSTWA BATERII

53. **OSTRZEŻENIA:** Pionowy odkurzacz ręczny zawiera niewymienne akumulatory. Zużytych akumulatorów nie wolno utylizować wraz z odpadami z gospodarstwa domowego. Przed utylizacją urządzenia należy wyjąć z niego akumulatory. Aby usunąć akumulatory, należy zabrać urządzenie do wyznaczonego punktu utylizacji/zbiórki odpadów. Dla własnego bezpieczeństwa nie wolno podejmować prób samodzielnego wyjęcia akumulatorów. Jeśli akumulatory nie zostaną prawidłowo wyjęte, może to doprowadzić do uszkodzenia akumulatorów i urządzenia, spowodować obrażenia ciała i/lub sprawić, że urządzenie nie będzie bezpieczne.
54. Pozostawienie baterii w otoczeniu o ekstremalnie wysokiej temperaturze może spowodować wybuch, wyciek palnej cieczy lub ulatnianie się palnego gazu.
55. Poddanie baterii oddziaływaniu ekstremalnie niskiego ciśnienia powietrza może spowodować wybuch lub wyciek łatwopalnej cieczy lub gazu.
56. W przypadku wycieku elektrolitu z baterii i kontaktu z oczami, skórą czy ubraniami należy natychmiast przemyć je lub przepłukać sporą ilością czystej wody. W razie kontaktu z oczami lub skórą należy bezzwłocznie skontaktować się z lekarzem.

57. Akumulatory są szczelnie zamknięte i w normalnych warunkach nie stanowią zagrożenia dla bezpieczeństwa. W mało prawdopodobnym przypadku wycieku płynu z akumulatora nie należy dotykać płynu i należy przestrzegać następujących środków ostrożności:
- **Kontakt ze skórą:** może powodować podrażnienia. Umyć wodą z mydłem.
  - **Wdychanie:** może powodować podrażnienie dróg oddechowych. Wyjść na świeże powietrze i zasięgnąć porady lekarza.
  - **Kontakt z oczami:** może powodować podrażnienia. Natychmiast dokładnie przepłukać oczy wodą przez co najmniej 15 minut. Zasięgnąć porady lekarza.
  - **Utylizacja:** do obsługi akumulatora należy nosić rękawice, które należy natychmiast zutylizować zgodnie z lokalnymi przepisami.
58.  Baterii nie można utylizować wraz z normalnymi odpadami gospodarstw domowych. Należy je dostarczyć do wyznaczonego punktu selektywnej zbiórki elektrośmieci. Skontaktuj się z władzami samorządowymi lub sprzedawcą, aby dowiedzieć się, jak zutylizować urządzenia. Właściwa utylizacja zużytych baterii pomaga chronić środowisko naturalne i zdrowie ludzkie.

## 2. SPECYFIKACJA TECHNICZNA

Bateria akumulatorowa	Litowo-jonowy 22,2 V <sub>---</sub> , 2000 mAh (C6) 6INR19/66
Napięcie znamionowe	21,6 V <sub>---</sub>
Moc znamionowa	130 W
Czas pracy przy niskiej mocy ssania	30 minut
Czas pracy przy wysokiej mocy ssania	15 minut
Moc znamionowa dyszy podłogowej	15 W
Czas ładowania	4-5 godzin
Pojemność pojemnika na kurz	0,5 l
Poziom mocy akustycznej	78 dB
Moc ssania	5-8 kPa, 27,5 W
Masa netto (bez akcesoriów)	2,28 kg
Wymiary produktu w mm	1100 x 250 x 220 mm

PL

### 2.1 Dane techniczne zasilacza

Nazwa producenta lub znak handlowy, numer identyfikacyjny firmy i jej adres	Shenzhen Jodeway Technology Co.,Ltd. 43rd Rifu Road, Baishixia East Area, Fuyong Street, Baoan District, Shenzhen, Guangdong, P. R. CHINA	
Oznaczenie modelu	JOD-S-270050GS	-
Prąd wejściowy	100-240	V~
Częstotliwość prądu wejściowego (AC)	50-60	Hz
Napięcie wyjściowe	27,0	V <sub>---</sub>
Prąd wyjściowy	0,5	A
Moc wyjściowa	13,5	W
Średnia wydajność podczas pracy	88,10	%
Wydajność przy niskim obciążeniu (10%)	/	%
Pobór prądu bez obciążenia	0,068	W

### 3. OPIS PRODUKTU

- |  |   |
|--|---|
| 1. Filtr                                 | 15. Przycisk zwalniający pakiet akumulatorów    |
| 2. Osłona filtra                         | 16. Zasilacz                                    |
| 3. Pojemnik na kurz                      | 17. Uchwyt ścienny                              |
| 4. Przycisk odłączania modułu głównego   | 18. Przycisk odłączania dyszy podłogowej        |
| 5. Rura                                  | 19. Okrągła dysza szczotkowa                    |
| 6. Przełącznik zasilania                 | 20. Przycisk odłączania szczotki obrotowej      |
| 7. Uchwyt                                | 21. Szczotka obrotowa                           |
| 8. Przycisk zwalniania pojemnika na kurz | 22. Diody LED                                   |
| 9. Główny korpus                         | 23. Ssawka szczelinowa                          |
| 10. Otwory wentylacyjne                  | 24. Zmotoryzowana szczotka do zbierania sierści |
| 11. Pakiet akumulatorów                  |   |
| 12. Lampka kontrolna                     |   |
| 13. Gniazdo do ładowania                 |   |
| 14. Przycisk mocy ssania                 |   |

PL

### 4. INSTALACJA

**Uwaga:** Pionowy odkurzacz ręczny nie jest jednostką wolno stojącą i po każdym użyciu powinien być umieszczany w uchwycie ściennym lub układany płasko na podłodze we właściwym miejscu, aby nie stwarzał niebezpieczeństwa potknięcia lub nie został przydepnięty. Urządzenie należy przechowywać w miejscu niedostępnym dla dzieci i zwierząt domowych.

#### 4.1 Montaż uchwytu ściennego

Produkt jest przeznaczony do montażu na uchwycie ściennym w pozycji pionowej.

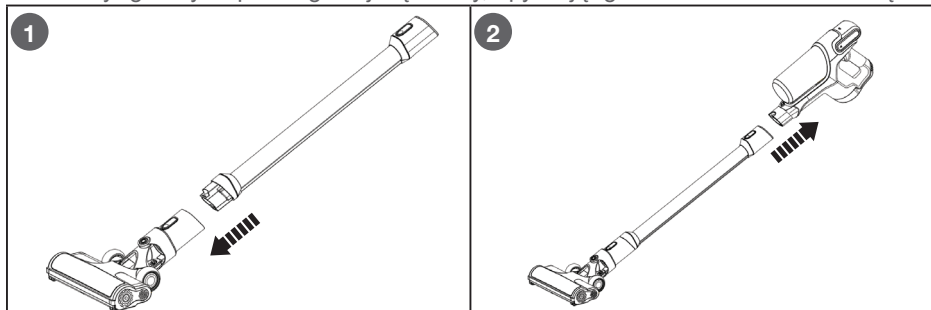
1. Wybierz miejsce montażu znajdujące się w pobliżu gniazda elektrycznego.
2. Przystawić uchwyt ścienny do powierzchni montażowej. Zaznaczyć punkty środkowe dwóch otworów.
3. Przesunąć uchwyt ścienny. Następnie użyć wiertarki elektrycznej z wiertłem 6 mm w celu wywiercenia dwóch otworów w zaznaczonych miejscach.

**Uwaga:** Podczas wiercenia otworów montażowych zachowaj ostrożność, aby nie przewiercić rur lub przewodów zasilających znajdujących się w podłożu. Punkty mocowania muszą mieć nośność wystarczającą, by utrzymać ciężar produktu.

4. Włożyć plastikowe kołnierze w otwory (poza zakresem dostawy).
5. Przymocować uchwyt ścienny do ściany i dokręcić dwie śruby M4x20.
6. Zawiesić urządzenie.

#### 4.2 Montaż odkurzacza pionowego i ręcznego

1. Włożyć rurę w złącze dyszy podłogowej, wpychając ją aż do momentu zatrzaśnięcia.
2. Włożyć główny korpus do górnej części rury, wpychając go aż do momentu zatrzaśnięcia.



### 4.3 Montaż i demontaż akcesoriów

- **OSTROŻNIE:** Przed wymianą akcesoriów należy zawsze najpierw wyłączyć odkurzacza.
- **OSTROŻNIE: Niebezpieczeństwo obrażeń!** Nigdy nie należy trzymać ssawki szczelinowej blisko ciała, ponieważ może się ona przyssać do skóry. W przypadku zablokowania się ssawki należy natychmiast wyłączyć urządzenie.
- Wszystkie trzy akcesoria – ssawkę szczelinową, małą dyszę podłogową i okrągłą dyszę szczotkową – można podłączyć zarówno do rury, jak i bezpośrednio do korpusu głównego.

### 4.4 Demontaż

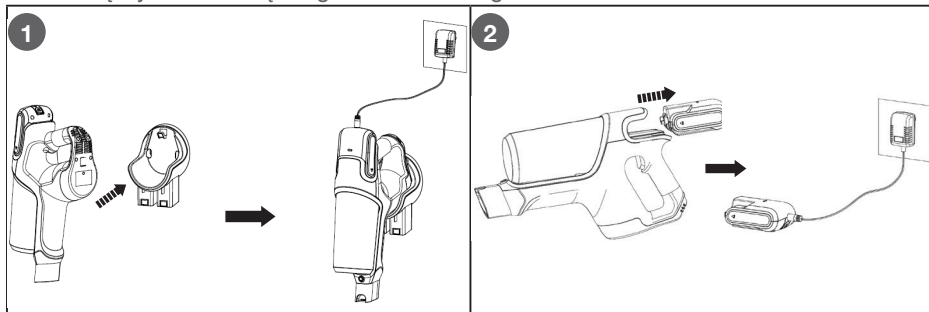
1. Aby odpiąć rurę z korpusu głównego, nacisnąć przycisk odłączania korpusu głównego i rozdzielić obie części.
2. Aby użyć jednego z trzech akcesoriów najpierw odpiąć dyszę podłogową lub rurę poprzez naciśnięcie jej przycisku odłączania.
3. Aby odpiąć dowolne akcesorium, nacisnąć jego przycisk odłączania i wyciągnąć je.

## 5. OBSŁUGA

### 5.1 Ładowanie akumulatora

#### Uwagi:

- Przed pierwszym użyciem akumulator litowo-jonowy musi być w pełni naładowany, nawet jeśli został dostarczony w stanie częściowo naładowanym.
  - Urządzenie należy ładować wyłącznie za pomocą dostarczonego zasilacza sieciowego!
  - Urządzenie nie może być używane podczas ładowania.
  - Przed ładowaniem należy wyłączyć urządzenie. Normalne ładowanie trwa 4-5 godzin. Aby utrzymać szczytową wydajność akumulatora, zaleca się ładowanie go przez 4-5 godzin raz w miesiącu, jeśli urządzenie nie jest używane regularnie.
1. **Ładowanie akumulatora w odkurzaczu pionowym i ręcznym:** Zawiesić urządzenie na uchwycie ściennym. Podłączyć końcówkę ładowarki do portu ładowania u góry pakietu akumulatorów.
  2. **Ładowanie akumulatora poza odkurzaczem pionowym i ręcznym:** Aby wyjąć akumulator, nacisnąć przyciski odłączania akumulatora i wysunąć go. Podłączyć ładowarkę do portu ładowania na akumulatorze.
  3. Podłączyć ładowarkę do gniazda ściennego.

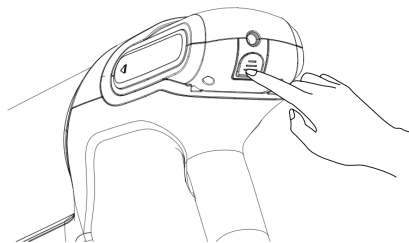


**Uwaga:** Wskaźnik ładowania miga na niebiesko podczas ładowania. Zapala się on na zielono, gdy akumulator jest całkowicie naładowany.



## 5.2 Korzystanie z odkurzacza ręcznego

1. Włożyć wybrane akcesorium do otworu ssawnego rury lub bezpośrednio do korpusu głównego.
2. Nacisnąć przycisk zasilania, aby włączyć urządzenie.
3. Urządzenie to ma niską i wysoką moc ssania. Aby wyregulować moc ssania, nacisnąć przycisk mocy ssania na akumulatorze.



4. Po zakończeniu odkurzania nacisnąć ponownie przycisk zasilania, aby wyłączyć urządzenie.
5. Opróżnić i wyczyścić pojemnik na kurz. Zawiesić urządzenie na uchwycie ściennym.

## 6. KONSERWACJA I CZYSZCZENIE

**Uwaga:** Przed wymianą akcesoriów, czyszczeniem lub konserwacją zawsze wyłączać urządzenie i odłączać je od źródła zasilania (jeśli jest ładowane).

1. Nie należy zanurzać urządzenia, kabla zasilającego ani zasilacza w wodzie ani żadnym innym płynie.
2. Unikać kontaktu z cieczami i materiałami powodującymi korozję. Nie używać żadnych środków czyszczących o właściwościach ściernych, chemikaliów, środków do czyszczenia szkła, uniwersalnych środków czyszczących, środków dezynfekujących ani środków konserwujących na bazie oleju! Te produkty mogą uszkodzić urządzenie.
3. Nie demontować ani nie przerabiać urządzenia. Zmiany lub przeróbki spowodują utratę gwarancji przez użytkownika.
4. Aby chronić wbudowany akumulator, należy przechowywać urządzenie w suchym miejscu, w temperaturze 0-40°C, w miejscu niedostępnym dla dzieci i zwierząt domowych.

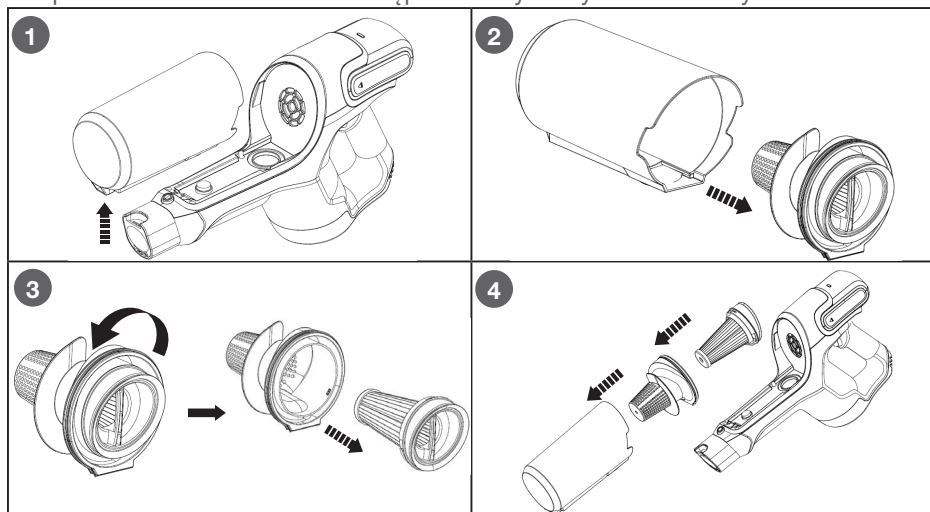
### 6.1 Czyszczenie korpusu i akcesoriów

1. Wszelkie zabrudzenia należy ścierać z korpusu za pomocą miękkiej, wilgotnej szmatki. Zwracać uwagę, żeby woda nie dostała się do wnętrza urządzenia. Począkać, aż urządzenie całkowicie wyschnie przed użyciem.
2. Akcesoria przecierać miękką, wilgotną szmatką i, jeśli to konieczne, odrobiną łagodnego detergentu. Poczekać, aż całkowicie wyschną.

### 6.2 Czyszczenie pojemnika na kurz

1. Nacisnąć przycisk zwalniający pojemnik na kurz i podnieść go do góry, aby oddzielić pojemnik od korpusu głównego. Uważać, aby nie nacisnąć przycisku zasilania.
2. Delikatnie wyciągnąć filtr i jego osłonę z pojemnika na kurz nad koszem na śmieci. Opróżnić zawartość pojemnika na kurz do kosza na śmieci i wyczyścić go wilgotną szmatką, miękką szczotką lub w razie potrzeby spłukać zimną wodą. Przed zamontowaniem upewnić się, że pojemnik na kurz jest zupełnie suchy.
3. Wyjąć filtr z osłony filtra; w tym celu obrócić go przeciwnie do kierunku ruchu wskazówek zegara i podnieść do góry. Wyczyścić filtr za pomocą suchej szmatki lub miękkiej szczotki. W razie potrzeby spłukać zewnętrzną stronę filtra i osłony filtra zimną wodą, aż woda będzie czysta. Filtr należy myć regularnie lub w razie potrzeby. Położyć filtr i osłonę filtra na boku, aby całkowicie wyschny.

- Po całkowitym wyschnięciu należy ponownie zamontować osłonę filtra w pojemniku na kurz. Włożyć filtr w osłonę filtra i zablokować go na miejscu poprzez przekręcenie go zgodnie z kierunkiem ruchu wskazówek zegara. Należy się upewnić, że jest prawidłowo zamontowana. Następnie należy włożyć filtr do osłony filtra.



- Ponownie zamocować pojemnik na kurz w korpusie głównym.

### 6.3 Konserwacja dyszy podłogowej

**Uwaga:** W razie najechania na twardy lub ostry przedmiot lub zauważenia zmiany wydawanego dźwięku, należy sprawdzić szczotkę obrotową pod kątem zatorów lub pochwyconych przedmiotów.

- W celu wyjęcia szczotki obrotowej należy nacisnąć przycisk odłączania szczotki obrotowej, dopóki nie wyskoczy ona automatycznie. Delikatnie wyciągnąć szczotkę obrotową z boku.
- Oczyścić szczotkę obrotową i usunąć wszelkie zalegający brud. Użyć nożyczek w celu odcięcia wszelkich nici lub włosów, które nawinęły się wokół szczotki obrotowej. Przetrzeć przedział szczotki obrotowej miękką, wilgotną szmatką. Poczekać, aż całkowicie wyschnie.
- Włożyć szczotkę obrotową do jej przedziału w taki sposób, aby zablokowała się na miejscu.

### 6.4 Sprawdzanie pod kątem zatorów

#### 6.4.1 Sprawdzanie pod kątem zatorów w korpusie głównym

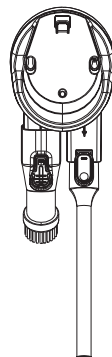
- Wyłączyć urządzenie.
- Odpiąć rurę od korpusu głównego poprzez naciśnięcie przycisku odłączania korpusu głównego.
- Sprawdzić wszystkie otwory wlotowe do pojemnika na kurz i usunąć wszelkie zabrudzenia lub zatory.

#### 6.4.2 Sprawdzanie pod kątem zatorów w rurze

- Wyłączyć urządzenie.
- Odpiąć rurę od korpusu głównego poprzez naciśnięcie przycisku odłączania korpusu głównego.
- Odpiąć dyszę podłogową od rury poprzez naciśnięcie przycisku odłączania dyszy podłogowej.
- Usunąć wszelkie zabrudzenia lub zatory.

### 6.5 Miejsce

Do przechowywania ssawki szczelinowej i okrągłej dyszy szczotkowej należy używać uchwytu na akcesoria, który znajduje się na uchwycie ściennym.



## 7. GWARANCJA I OGRANICZENIE ODPOWIEDZIALNOŚCI

Na ten produkt udzielana jest 36-miesięczna gwarancja (w tym 24-miesięczna gwarancja prawna według prawa miejscowego oraz dodatkowa 12-miesięczna gwarancja handlowa oferowana przez markę) od daty zakupu na wszelkie uszkodzenia wynikające z wady wykonania lub wady materiału.

Niniejsza gwarancja nie obowiązuje w przypadku uszkodzeń wynikających z nieprawidłowej instalacji, niewłaściwego użytkowania lub normalnego zużycia produktu. W ujęciu bardziej szczegółowym, gwarancja nie obowiązuje:

- w przypadku uszkodzeń lub problemów spowodowanych niewłaściwym użytkowaniem, wypadkiem, przeprowadzeniem jakichkolwiek przeróbek urządzenia lub podłączeniem go do zasilania elektrycznego o nieprawidłowych parametrach natężenia lub napięcia,
- w przypadku przeprowadzenia modyfikacji urządzeń, których plomba gwarancyjna lub numer seryjny zostały uszkodzone, naruszone, usunięte lub uległy oksydacji,
- w odniesieniu do baterii przeznaczonych do wymiany i akcesoriów, okres gwarancji wynosi 6 miesięcy,
- w przypadku uszkodzeń baterii, spowodowanych zbyt długim ładowaniem lub brakiem przestrzegania zamieszczonych w instrukcji obsługi wskazówek bezpieczeństwa,
- uszkodzeń o charakterze estetycznym, takich jak zarysowania, wybrzuszenia lub podobne uszkodzenia;
- w przypadku uszkodzeń spowodowanych przeprowadzeniem jakichkolwiek prac przez osoby nieuprawnione,
- w przypadku uszkodzeń spowodowanych normalnym zużyciem lub starzeniem się produktu,
- w przypadku aktualizacji oprogramowania związanych z modyfikacją parametrów sieci,
- w przypadku uszkodzeń produktu spowodowanych użyciem oprogramowania innych producentów w celu zmodyfikowania, adaptacji lub modyfikacji oprogramowania istniejącego,
- w przypadku uszkodzeń produktu spowodowanych jego użyciem bez akcesoriów zatwierdzonych przez producenta,
- w odniesieniu do produktów, które uległy działaniu oksydacji.

Producent nie ponosi w żadnym wypadku odpowiedzialności za utratę danych przechowywanych na dysku. Analogicznie, producent nie ponosi żadnej odpowiedzialności za sprawdzenie, czy ze zwracanych produktów zostały wyjęte karty SIM/SD.

W produktach naprawionych lub wymienionych mogą znajdować się komponenty oraz wyposażenie nowe i/lub wykorzystywane ponownie.

### SPOSOBY ZGŁASZANIA ROSZCZENIA GWARANCYJNEGO

Aby skorzystać z praw gwarancyjnych, należy odnieść produkt, zapakowany w oryginalne opakowanie, do miejsca, w którym został zakupiony, wraz z dowodem jego zakupu (paragon kasowy, faktura itp.) oraz dostarczanych akcesoriów.

Należy również dysponować takimi informacjami jak data zakupu, model i numer seryjny lub numer IMEI (informacje te znajdują się najczęściej na produkcie, jego opakowaniu lub dokumencie stanowiącym dowód zakupu).

Jeśli brak tych informacji, należy dostarczyć produkt z wszystkimi akcesoriami niezbędnymi do jego prawidłowego funkcjonowania (zasilacz, adapter itd.).

W przypadku, gdy reklamacja jest objęta gwarancją, w zależności od obowiązujących przepisów miejscowych, serwis naprawczy może:

- przeprowadzić naprawę lub wymienić uszkodzone części,
- zamienić zwracany produkt na inny o co najmniej takiej samej funkcjonalności i równoważnych parametrach wydajnościowych,
- zwrócić cenę zakupu produktu, określoną w dokumencie stanowiącym dowód zakupu.

W przypadku naprawy objętej gwarancją okres gwarancji zostanie przedłużony o 6 miesięcy, ale nie będzie się kumulował w przypadku powtarzających się awarii.


# TARTALOMJEGYZÉK:

1. BIZTONSÁGI UTASÍTÁSOK	68. o.
2. MŰSZAKI ADATOK	75. o.
3. TERMÉKLEÍRÁS	76. o.
4. ÜZEMBE HELYEZÉS	76. o.
5. HASZNÁLAT	77. o.
6. KARBANTARTÁS ÉS TISZTÍTÁS	78. o.
7. GARANCIA ÉS JÓTÁLLÁSI FELTÉTELEK	80. o.

HU

## 1. BIZTONSÁGI UTASÍTÁSOK


A termék használata előtt olvassa el figyelmesen az alábbi utasításokat, és őrizze meg a felhasználói kézikönyvet későbbi használatra.

1. A készüléket nyolc évesnél idősebb gyerekek, korlátozott fizikai, érzékszervi vagy mentális képességű személyek, valamint megfelelő tudással vagy ismeretekkel nem rendelkező személyek kizárólag felügyelet mellett, illetve abban az esetben használhatják, ha a készülék biztonságos kezeléséről tájékoztatást kaptak, és tisztában vannak az ahhoz kapcsolódó kockázatokkal.
2. A készülékkel gyermekek nem játszhatnak.
3. A készülék tisztítását és felhasználói karbantartását gyerekek felügyelet nélkül nem végezhetik.
4. A tápkábel sérülésmentességét rendszeresen ellenőrizni kell. Ha a tápkábel megsérült, a gyártótól vagy a szervizközponttól származó speciális vezetékkel vagy szereléssel cserélje ki. Ne használjon sérült tápkábelt, mert az áramütést vagy tüzet okozhat.
5. A készülék csak a mellékelt tápegységgel használható.
6.  **FIGYELMEZTETÉS:** Az akkumulátor töltéséhez csak a készülékhez mellékelt leválasztható tápegységet (JOD-S-270050GS) használja.

7. A készülék nem cserélhető akkumulátort tartalmaz.
8. A készülék tisztítása és karbantartása előtt ki kell húzni a csatlakozódugaszt az elektromos aljzataból.
9. A felhasználói karbantartás során tegyen óvintézkedéseket. A **KARBANTARTÁS ÉS TISZTÍTÁS** részben találja a karbantartásra és tisztításra vonatkozó utasításokat.
10. **FIGYELEM:** Kizárólag háztartási, beltéri használatra. Kültéren ne használja a készüléket.
11. Ha a készüléket leejtették, akkor ne használja. Ne használja akkor sem, ha látható sérülés van rajta, vagy az újratölthető akkumulátor szivárog.
12. Ügyeljen arra, hogy haj, laza ruházat, ujjak és más testrészek ne kerüljenek a nyílások közelébe.
13. **FIGYELMEZTETÉS:** Soha ne használja a készüléket szűrő nélkül. Optimális porgyűlésre csak tiszta szűrővel és üres porgyűjtővel kerülhet sor.
14. Csak a gyártó által mellékelte tartozékokat használja, hogy ne okozzon kárt a készülékben, és/vagy elkerülje a személyi sérülést.
15. Kapcsolja ki a készüléket a tartozékok cseréje előtt.
16. A töltéssel kapcsolatos információkat lásd az **5.1 Az akkumulátor töltése** szakaszban.
17. Az akkumulátorok típusát lásd a **2. MŰSZAKI ADATOK** részben.
18. A csatlakozódugóhoz és a készülék kapcsolójához csak száraz kézzel nyúljon.
19. Soha ne fogja meg a kézi porszívót vagy a töltőállomást nedves vagy vizes kézzel.
20. Ne használjon sérült tápkábelt, csatlakozódugaszt vagy kilazult elektromos aljzatót.
21. A tápkábelt használat előtt teljesen tekerje le. Feltekert tápkábellel ne használja a készüléket, mert ez a túlmelegedését okozhatja. Az áramütés elkerülése érdekében ne hajlítsa, nyújtsa vagy húzza meg a tápkábelt.
22. Ne vezesse a tápkábelt éles széleken keresztül.

23. Ügyeljen rá, hogy a tápkábel ne lógjon le a felület szélén, ne érintkezzen forró felületekkel, és ne gubancolódjon össze. Ne helyezzen olyan nehéz tárgyat a tápkábelre, amely megtörheti.
24. A csatlakozódugaszt soha ne húzza ki a hálózati aljzatból a kábelénél fogva, és ne húzza a készüléket a tápkábelénél.
25. Mielőtt csatlakoztatja a csatlakozódugaszt a fali aljzatba, ellenőrizze, hogy nincs-e por vagy víz a csatlakozódugáson.
26. A csatlakozódugaszt egy könnyen elérhető csatlakozóaljzathoz csatlakoztassa, hogy a készüléket szükség esetén gyorsan le lehessen választani az elektromos hálózatról.
27. Biztonsági okokból azt ajánljuk, hogy a készüléket közvetlenül saját csatlakozóaljzatába dugja be, egy saját, más készülékektől elkülönített áramkörön. Ha az elektromos áramkör túl van terhelve más készülékekkel, előfordulhat, hogy a kancsó nem működik megfelelően. Elektromos elosztó vagy hosszabbítókábel használata nem javasolt.
28. Ne hagyja a tápkábelt szabadon a padlón.
29. A tápkábelt mindig úgy helyezze el, hogy ne okozzon botlásveszélyt, és ne lehessen belegabalyodni.
30. Ne merítse a készüléket vízbe. Ne használja a készüléket víz közelében.
31. Ne használja a készüléket, ha vízbe vagy más folyadékba esett. Ilyenkor vizsgáltsa át egy képzett szerelővel.
32. Ne helyezze a készüléket közvetlen napfényre vagy olyan zárt területre, ahol a szellőzés korlátozott mértékű, vagy ahol más hőforrások találhatóak.
33. Ne tegye ki a készüléket esőnek, nedvességnek vagy nedves környezetnek.
34. Ne használja a készüléket, ha láthatóan sérült.
35. Javasolt a készülék rendszeres ellenőrzése.

36. A készülék első használata előtt távolítsa el a csomagolóanyagot és a címkéket, és gondoskodjon ezek biztonságos hulladékkezeléséről. Ne távolítsa el az adatképeket és a biztonsági információkat!
37. A porszívót csak szobahőmérsékletű környezetben tárolja és használja. A termék használata rendkívül alacsony (0°C alatti) vagy magas (40°C feletti) hőmérsékleten tilos.
38. Soha ne porszívózzon fel semmit, ami füstöl vagy ég, például cigarettát, forró hamut vagy gyufát.
39. Soha ne használja gyúlékony vagy éghető folyadékok, például metilalkohol, benzin, aceton stb. felszívására, és ne használja olyan területen, ahol ilyen anyagok lehetnek jelen.
40. Soha ne használja éles és kemény tárgyak, például üvegdarabok, fémforgácsok, érmék, szögek, csavarok stb. porszívózására.
41. Soha ne használja maró vagy mérgező anyagok, például ásványi savak, lúgos oldatok, oxidálószer, lefolyótisztító, klóros fehérítő, ammónia stb. felszívására.
42. Soha ne használja zárt térben, ahol olajfesték, molyirtó, hígító, gyúlékony por vagy más mérgező, vagy robbanásveszélyes gőzök szabadulnak fel.
43. Ne használja a készüléket víz, bármilyen más folyadék vagy nedves szennyeződés felszívására.
44. Kerülje a porszívó használatát olyan helyeken, ahol asztali lámpák és gyertyák vannak, valamint olyan helyeken, ahol benzin, desztillált alkohol, hígító, égő cigarettát tartalmazó hamutartó stb. található.
45. Soha ne zárja rövidebbre a töltőérintkezőket fémtárgyakkal, például csavarhúzóval stb.
46. **FIGYELEM:** Semmilyen körülmények között ne nyissa fel a burkolatot. Soha ne dugja az ujját vagy bármilyen tárgyat a készülék egyik nyílásába sem, és ne takarja el a szellőzőnyílásokat. A készülék szellőzőnyílásait szabadon kell tartani, hogy a készülék megfelelően működhessen, és elkerülhesse a veszélyes túlmelegedést. Ne takarja le a készüléket.

47. Minden használat előtt győződjön meg arról, hogy a nyílások nem tartalmaznak port, szőrszálakat, szöszöket vagy bármit, ami a légáramlást akadályozhatja.
48. A készüléket csak szakember javíthatja. Felhasználók vagy más arra fel nem hatalmazott személyek ne kíséreljék meg megjavítani vagy szétszerelni a terméket. A helytelen szervizelés jelentős veszélyeket okozhat.
49. A tápfeszültség egyezzen meg a műszaki adatokban és a készülék adattábláján látható adatokkal.
50. Győződjön meg róla, hogy a porszívó sérülésmentes. **NE** használja porszívót, ha meghibásodott.
51. Ha a hálózati dugasz csatlakozóvillái megsérültek, selejtezze le.
52.  Ez a jelzés azt mutatja, hogy a termék nem helyezhető a háztartási hulladékba. A nem megfelelő hulladékkezelés okozta lehetséges környezeti károk, vagy emberi egészségkárosodás elkerülése érdekében felelősséggel, a természeti erőforrások újrahasznosítását segítő módon végezze a termék hulladékkezelését. A használhatatlanná vált készülék hulladékkezeléséhez vegye igénybe a visszajuttatási és hulladékgyűjtő rendszereket, vagy vegye fel a kapcsolatot azzal az értékesítővel, akitől megvásárolta a terméket. A kereskedők gondoskodnak a termék környezetvédelmi szempontból biztonságos újrahasznosításáról.



## 1.1 AKKUMULÁTORRAL KAPCSOLATOS BIZTONSÁGI ELŐÍRÁSOK

53. **FIGYELMEZTETÉSEK:** A kézi rúdporshivó nem cserélhető akkumulátort tartalmaz. Ne helyezze a használt akkumulátorokat a háztartási hulladékba. A készülék hulladékkezelése előtt el kell távolítani az akkumulátorokat a készülékből. Az akkumulátor eltávolításához vigye a készüléket a kijelölt hulladéklerakó/-gyűjtő helyre. Biztonsága érdekében ne próbálja meg saját kezűleg eltávolítani az akkumulátorokat. Az akkumulátorok nem megfelelő eltávolítása az akkumulátorok és a készülék károsodásához vezethet, személyi sérülést okozhat, és/vagy a készülék nem biztonságos használatát eredményezheti.
54. Ne hagyja az akkumulátort különösen magas hőmérsékletű helyen, mivel ez robbanást, vagy a gyúlékony folyadékok vagy gázok szivárgását okozhatja.
55. Ha az akkumulátort szélsőségesen alacsony légnyomásnak teszi ki, ez robbanást, illetve gyúlékony folyadékok vagy gázok szivárgását okozhatja.
56. Ha az elemfolyadék szivárog, és szembe, bőrre vagy ruhára kerül, azonnal öblítse le bő tiszta vízzel. Ha szembe vagy bőrre kerül, azonnal forduljon orvosához.
57. Az akkumulátor egy zárt rendszerű eszköz, és normál körülmények között nem jelent biztonsági kockázatot. Abban a valószínűtlen esetben, ha folyadék szivárogna az akkumulátorból, ne érintse meg a folyadékot, és tartsa be a következő óvintézkedéseket:
- **Érintkezés a bőrrel:** irritációt okozhat. Mossa le a bőrfelületet szappannal és vízzel.
  - **Belégzés:** légzőszervi irritációt okozhat. Menjen friss levegőre, és forduljon orvoshoz.

- **Szembe kerülés:** irritációt okozhat. Haladéktalanul öblítse ki a szemét vízzel, legalább 15 percen keresztül. Forduljon orvoshoz.
- **Hulladékkezelés:** az akkumulátort kesztyűvel fogja meg, és haladéktalanul selejtezze le a helyi rendeletek és előírások szerint.

58.



Az elemeket tilos a háztartási hulladékba kidobni. Kérjük, hogy a nem használt elemeket vigye el az erre a célra kijelölt gyűjtőhelyre. A hulladékkezeléssel kapcsolatban forduljon a helyi hatóságokhoz vagy a forgalmazóhoz. Az elemek előírás szerű ártalmatlanításával védi a környezetet és az emberi egészséget.

## 2. MŰSZAKI ADATOK

Újratölthető akkumulátor	Li-ion 22,2 V <sub>===</sub> , 2000 mAh (C6) 6INR19/66
Névleges feszültség	21,6 V <sub>===</sub>
Névleges teljesítmény	130 W
Üzemidő kis szívóerővel	30 perc
Üzemidő nagy szívóerővel	15 perc
Padlószívó fej névleges teljesítménye	15 W
Töltési idő	4–5 óra
Porgyűjtő kapacitása	0,5 l
Hangteljesítményszint	78 dB
Szívóerő	5-8 kPa, 27,5 W
Nettó tömeg (tartozékok nélkül)	2,28 kg
A termék méretei mm-ben	1100 x 250 x 220 mm

HU

### 2.1 Az adapter műszaki adatai

A gyártó neve vagy védjegye, kereskedelmi nyilvántartási száma és címe	Shenzhen Jodeway Technology Co.,Ltd. 43rd Rifu Road, Baishixia East Area, Fuyong Street, Baoan District, Shenzhen, Guangdong, P. R. CHINA	
Modellazonosító	JOD-S-270050GS	-
Bemeneti feszültség	100-240	V~
Bemeneti AC frekvencia	50-60	Hz
Kimeneti feszültség	27,0	V <sub>===</sub>
Kimeneti áram	0,5	A
Kimeneti teljesítmény	13,5	W
Átlagos aktív hatékonyság	88,10	%
Hatásfok alacsony (10%-os) terhelés esetén	/	%
Teljesítményfelvétel készenléti állapotban	0,068	W

### 3. TERMÉKLEÍRÁS

- |                           |                                 |
|---------------------------|---------------------------------|
| 1. Szűrő                  | 13. Töltőnyílás                 |
| 2. Szűrővédő              | 14. Szívóerő gomb               |
| 3. Porgyűjtő              | 15. Akkumulátor kioldógombja    |
| 4. Főegység kioldó gombja | 16. Adapter                     |
| 5. Cső                    | 17. Fali tartó                  |
| 6. Ki/be kapcsoló         | 18. Padlószívó fej kioldógombja |
| 7. Fogantyú               | 19. Kerek kefes szívófej        |
| 8. Porgyűjtő kioldógombja | 20. Görgős kefe kioldógombja    |
| 9. Készülékház            | 21. Görgős kefe                 |
| 10. Szellőzőnyílások      | 22. LED-es fényforrás           |
| 11. Akkumulátor           | 23. Résszívó fej                |
| 12. Jelzőfény             | 24. Motoros kisállatszőr-szívó  |

HU

### 4. ÜZEMBE HELYEZÉS

**Megjegyzés:** Ez a kézi rúdporzívó nem szabadon álló egység, így két használat között mindig a fali tartóba kell helyezni, vagy megfelelő helyen a padlóra fektetve kell tartani, nehogy megboljünk benne, és hogy rá se léphessünk. A készülék gyermekektől és kisállatoktól távol tartandó.

#### 4.1 A fali tartó felszerelése

A terméket úgy tervezték, hogy függőlegesen álljon a fali tartóban.

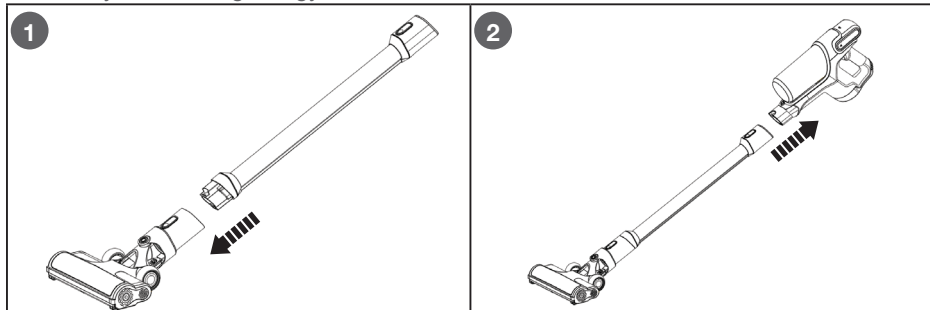
1. A felszerelés helyét a fali csatlakozó közelében válassza ki.
2. Helyezze a fali tartót a rögzítési felületre. Jelölje meg a két furatközéppontot.
3. Vegye el a fali tartót. Majd 6 mm-es fúrószárú elektromos fúrógéppel fúrjon furatokat a megjelölt helyeken.

**Megjegyzés:** A furatok elkészítése során ügyeljen arra, hogy ne fúrjon semmilyen csővezetékbe vagy elektromos vezetékbe. A rögzítési pontoknak meg kell tudni tartaniuk a termék teljes súlyát.

4. Illesszen műanyag tipliket a furatokba (nincs a készletben).
5. Rögzítse a fali tartót a falhoz és húzza meg a két M4x20-as csavart.
6. Akassza fel a készüléket.

#### 4.2 A kézi rúdporzívó összeszerelése

1. Illessze a csövet a padlószívó fej csatlakozójába úgy, hogy benyomja addig, amíg az a helyére nem rögzül egy kattánással.
2. Illessze a fő készüléktestet a cső felső végébe úgy, hogy benyomja addig, amíg az a helyére nem rögzül egy kattánással.



### 4.3 Tartozékok felszerelése és eltávolítása

- **FIGYELEM:** A tartozékok cseréje előtt először mindig kapcsolja ki a porszívót.
- **FIGYELEM: Sérülésveszély!** Soha ne tartsa a résszívó fejet a testhez túl közel, mert a szívóhatás miatt a bőrhöz tapadhat. Ha a szívófej eldugul, haladéktalanul kapcsolja ki a készüléket.
- Mindhárom tartozék : a résszívó fej, a kis padlószívó fej és a kerek kefésszívófej egyaránt csatlakoztatható a csőbe és közvetlenül a fő készüléktestre is.

### 4.4 Szétszerelés

1. A cső leválasztásához nyomja meg a főegység kioldógombját és válassza szét őket.
2. A három közül valamelyik tartozék használatához először válassza le a padlószívó fejet vagy a csövet a kioldógombjának megnyomásával.
3. Bármelyik tartozék leválasztásához nyomja meg a kioldógombját és húzza ki a tartozékot.

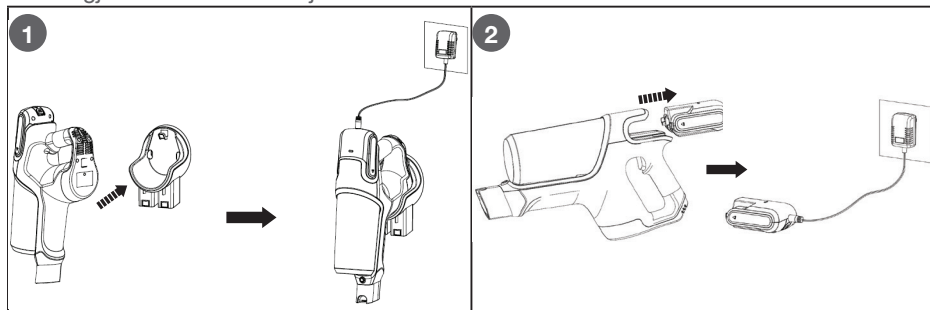
## 5. HASZNÁLAT

HU

### 5.1 Az akkumulátor töltése

#### Megjegyzés:

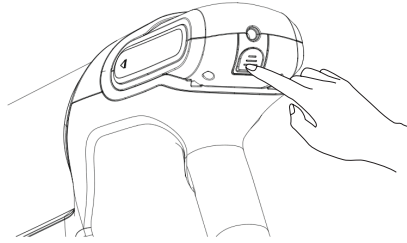
- Az első használat előtt teljesen töltsse fel a lítium-ion akkumulátort, még akkor is, ha részlegesen fel van töltve.
  - Csak a készülékhez mellékelt tápegységgel töltsse a készüléket!
  - A készülék töltés közben nem használható.
  - Töltés előtt kapcsolja ki a készüléket. A normál töltési folyamat 4–5 órát vesz igénybe. Az akkumulátor csúcsteljesítményének megőrzése érdekében javasolt havonta 4–5 órát akkor is tölteni, ha a készüléket nem használja rendszeresen.
1. **Az akkumulátor töltése a kézi rúd-porszívóban:** Akassza fel a készüléket a fali tartóra. Dugja be a töltőcsúcsot az akkumulátor tetején található töltőcsatlakozóba.
  2. **Az akkumulátor töltése a kézi rúd-porszívón kívül:** Az akkumulátor eltávolításához nyomja meg az akkumulátor kioldó gombjait, és csúsztassa hátra. Dugja be a töltőt az akkumulátoron található töltőcsatlakozóba.
  3. Dugja be a töltőt a fali aljzatba.



**Megjegyzés:** Töltés közben a töltésjelző kékén villog. Zöldre változik, amikor teljesen feltöltődik.

## 5.2 A porszívó használata

1. Illessze a kívánt tartozékot a cső szívónyílásába vagy közvetlenül a fő készüléktestre.
2. A készülék bekapcsolásához nyomja meg a bekapcsológombot.
3. A készülék kis és nagy szívóerővel rendelkezik. A szívóerő szabályozásához nyomja meg a szívóerő gombot az akkumulátoron.



4. A porszívózás befejezése után nyomja meg újra a bekapcsológombot a készülék kikapcsolásához.
5. Öntse ki a porgyűjtő tartalmát, majd tisztítsa meg. Akassza fel a készüléket a fali tartóra.

## 6. KARBANTARTÁS ÉS TISZTÍTÁS

**Megjegyzés:** Mindig kapcsolja ki a készüléket, és válassza le az elektromos hálózatról (amennyiben éppen tölti), ha tartozékot cserél, tisztítást vagy karbantartást végez rajta.

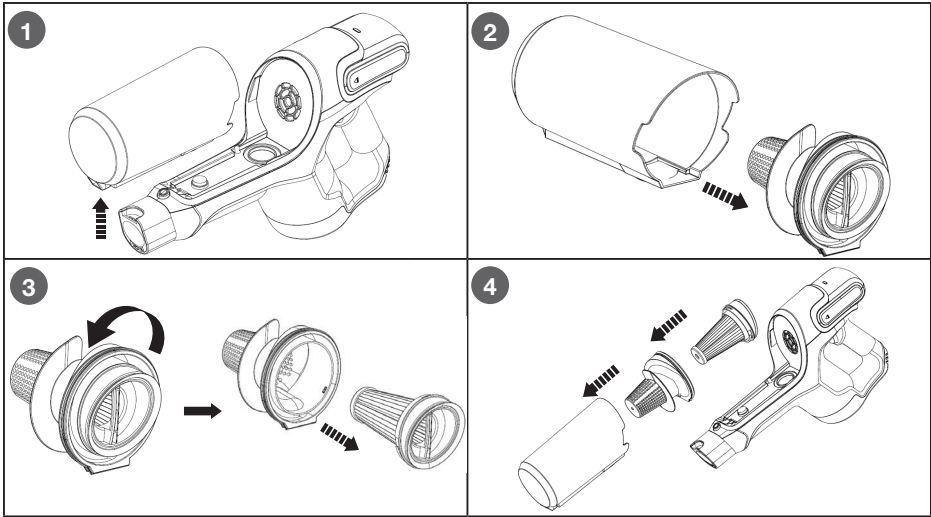
1. A készüléket, a tápkábelt és az adaptert ne merítse vízbe vagy más folyadékba.
2. Mellőzze a korrózió folyadékokat és anyagokat. Ne használjon súroló hatású tisztítószereket, vegyszereket, üvegtisztítókat, univerzális tisztítószereket, fertőtlenítőszereket vagy olajalapú karbantartó anyagokat! Ezek a termékek károsíthatják a készüléket.
3. Ne szerelje szét, és ne módosítsa a készüléket. A változtatások vagy módosítások érvénytelenítik a felhasználói garanciát.
4. A beépített akkumulátor védelme érdekében a készüléket tartsa száraz helyen, 0–40 °C közötti hőmérsékleten, gyermekektől és háziállatoktól távol.

### 6.1 A készülékház és a tartozékok tisztítása

1. Használjon egy puha, nedves ruhát a készülékre került szennyeződések eltávolításához. Ügyeljen rá, hogy ne jusson víz a készülék belsejébe. Használat előtt hagyja a készüléket teljesen megszáradni.
2. Törölje át a tartozékokat egy puha, nedves ruhával, és ha szükséges, egy kevés enyhe mosószerelemmel. Hagyja őket teljesen megszáradni.

### 6.2 A portartály tisztítása

1. Nyomja meg a porgyűjtő kioldógombját, majd emelje fel, és vegye ki a porgyűjtőt a készülékházból. Ügyeljen arra, hogy közben ne nyomja meg a bekapcsológombot.
2. Finoman húzza ki a szűrőt és a szűrővédőt a porgyűjtőből egy szemeses felett. Öntse a porgyűjtő tartalmát a szemesesbe, majd tisztítsa meg egy nedves ruhával vagy puha kefével, illetve szükség esetén öblítse le hideg vízzel. Ügyeljen arra, hogy a portartály teljesen száraz legyen, mielőtt visszateszi a helyére.
3. Vegye ki a szűrőt a szűrővédőből az óramutató járásával ellentétes irányba elfordítva és felfelé emelve. Tisztítsa meg a szűrőt egy puha ruhával vagy egy puha kefével. Szükség esetén a szűrő külső részét és a szűrővédőt mossa át hideg csapvíz alatt, amíg tisztává nem válnak. A szűrőt rendszeres időközönként vagy szükség esetén tisztítsa. Fektesse a szűrőt és a szűrővédőt az oldalára, hogy teljesen megszáradhasson.
4. Miután teljesen megszáradt, először a szűrővédőt helyezze vissza a porgyűjtőbe. Tegye a szűrővédőbe és rögzítse a helyére az óramutató járásával megegyező irányba elfordítva. Ügyeljen arra, hogy a szűrővédő megfelelően a helyére kerüljön. Ezt követően tegye a szűrőt is a szűrővédőbe.



HU

5. Helyezze vissza a porgyűjtőt a készülékékháza.

### 6.3 A padlószívó fej karbantartása

**Megjegyzés:** Ha egy kemény vagy éles tárgyon halad át, vagy porszívózás közben változást érzékel a zajsztintben, ellenőrizze, hogy nincs-e eltömődés benne, vagy nem akadt-e be valamilyen tárgy a görgős kefére.

1. A görgős kefe eltávolításához nyomja meg a görgős kefe kioldógombját, ami ennek hatására automatikusan felugrik. Óvatosan húzza ki a görgős keféét oldalról.
2. Tisztítsa meg a görgős keféét, és távolítsa el minden makacs szennyeződést. Ollóval vágjon le minden zsinórt vagy hajszálat, ami rátekeredett a görgős kefére. Puha, nedves ruhával törölje ki a görgős kefe rekeszét. Hagyja teljesen megszáradni.
3. Helyezze vissza a görgős keféét a rekeszébe úgy, hogy szilárdan a helyére rögzüljön.

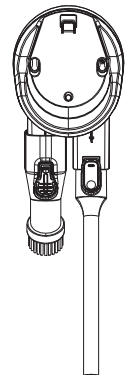
### 6.4 Eltömődések ellenőrzése

#### 6.4.1 A fő készüléktest eltömődésének ellenőrzése

1. Kapcsolja ki a készüléket.
2. Válassza le a csövet a fő készüléktestről a főegység kioldógombjának megnyomásával.
3. Ellenőrizze a porgyűjtő minden bemeneti nyílását, és távolítsa el minden szennyeződést vagy eltömődést.

#### 6.4.2 A cső eltömődésének ellenőrzése

1. Kapcsolja ki a készüléket.
2. Válassza le a csövet a fő készüléktestről a főegység kioldógombjának megnyomásával.
3. Válassza le a padlószívó fejet a csőről a padlószívó fej kioldógombjának megnyomásával.
4. Tisztítsa ki minden szennyeződést és eltömődést.



### 6.5 Tárolás

A résszívó eszköz és a kerek kefes szívófej tárolására használja a tartozéktartót, amely a fali tartóban található.

## 7. GARANCIA ÉS JÓTÁLLÁSI FELTÉTELEK

Erre a termékre a vásárlás időpontjától számított 36 hónap jótállás vonatkozik (amely tartalmazza a helyi jogszabályok által meghatározott 24 hónapos törvényes jótállást, valamint a márka által kínált 12 hónap további jótállást), minden gyártási- vagy anyaghibából eredő meghibásodásra.

Ez a jótállás nem terjed ki a rossz telepítésből, helytelen használatból, vagy a termék természetes elhasználódásából eredő károokra. A jótállás nem vonatkozik:

- A helytelen használatból, balesetből, átalakításból vagy nem megfelelő áramerősségű illetve feszültségű elektromos csatlakozásból eredő károokra vagy meghibásodásokra.
- Olyan termékekre, amelyeknek garancia címkéje vagy sorozatszama sérült, megváltozott, eltávolították vagy rozsdás.
- A cserélhető akkumulátorokra és tartozékokra 6 hónap jótállás vonatkozik.
- Az akkumulátor meghibásodására, ha a túl hosszú töltés, vagy az útmutatóban leírt biztonsági előírások figyelmen kívül hagyása miatt következett be.
- Esztétikai hibákra, ideértve a karcolást, ütésnyomokat vagy egyéb sérüléseket.
- Engedéllyel nem rendelkező személy által végzett bármilyen beavatkozásból bekövetkezett károokra.
- A természetes kopásból vagy a termék természetes elhasználódásából eredő meghibásodásokra.
- A hálózati paraméterek megváltozása miatt szükséges programfrissítésekre.
- Harmadik fél programjának módosítás, változtatás vagy adaptálás céljából történő használata következtében meghibásodott termékekre.
- A gyártó által jóváhagyott tartozékok nélküli használat következtében meghibásodott termékekre.
- A rozsdás termékekre

A gyártó semmi esetre sem tehető felelőssé a lemezen tárolt adatok elvesztéséért. Hasonlóképpen, a gyártó nem köteles ellenőrizni, hogy a visszavitt termékből eltávolították-e a SIM / SD kártyákat.

A javított vagy cserélt termékek tartalmazhatnak új és/vagy újracsomagolt összetevőket és tartozékokat.




## CUPRINS:

1. INSTRUCȚIUNI DE SIGURANȚĂ	P. 81
2. SPECIFICAȚII TEHNICE	P. 87
3. DESCRIEREA PRODUSULUI	P. 88
4. INSTALARE	P. 88
5. UTILIZARE	P. 89
6. ÎNTREȚINERE ȘI CURĂȚARE	P. 90
7. GARANȚII ȘI LIMITE DE RESPONSABILITATE	P. 92

### 1. INSTRUCȚIUNI DE SIGURANȚĂ

Înainte de a folosi acest produs, citiți cu atenție aceste instrucțiuni și păstrați manualul pentru o utilizare ulterioară.

1. Acest aparat poate fi utilizat de copiii cu vârsta de cel puțin 8 ani și de persoane cu capacități fizice, senzoriale sau mentale reduse sau care nu au experiența și cunoștințele necesare, dacă sunt supravegheate sau au fost instruite cu privire la utilizarea aparatului în condiții de siguranță și înțeleg pericolele implicate.
2. Copiii nu au voie să se joace cu acest aparat.
3. Curățarea aparatului și întreținerea permisă pentru utilizator nu trebuie să fie efectuate de către copii decât sub supraveghere.
4. Cablul de alimentare trebuie să fie examinat în mod regulat pentru a se detecta orice semn de deteriorare eventuală. Dacă acesta este deteriorat, el trebuie înlocuit de un cablu special sau un echipament pus la dispoziție de producător sau agenții de service ai acestuia. Nu folosiți cablul dacă este deteriorat deoarece acest lucru poate provoca electrocutare sau incendiu.
5. Aparatul trebuie utilizat numai cu sursa de alimentare pe care ați primit-o împreună cu aparatul.
6.  **AVERTIZARE:** Pentru a reîncărca bateria, utilizați numai unitatea de

alimentare detașabilă (JOD-S-270050GS) furnizată împreună cu acest aparat.


7. Acest aparat conține baterii care nu pot fi înlocuite.
8. Înainte de curățare sau întreținere a aparatului, ștecherul trebuie scos din priză.
9. Este necesar să luați măsuri de precauție în timpul întreținerii. Consultați paragraful „**ÎNȚREȚINERE ȘI CURĂȚARE**” pentru întreținerea și curățarea aparatului.
10. **PRECAUȚIE:** Numai pentru uz casnic, în interior! Nu utilizați aparatul în medii exterioare.
11. Nu utilizați aparatul dacă a fost scăpat de la înălțime, dacă există semne vizibile de deteriorare sau dacă bateria reîncărcabilă se scurge.
12. Aveți grijă ca părul, îmbrăcămintea largă, degetele și toate părțile corpului să fie departe de deschiderile aparatului.
13. **AVERTIZARE:** Nu folosiți niciodată aparatul fără filtru. Colectarea optimă de praf va fi realizată doar cu ajutorul unui filtru curat și a unui container de praf gol.
14. Nu folosiți alte accesorii decât cele furnizate de către producător, pentru a evita deteriorarea aparatului și/sau rănire.
15. Opritiți aparatul înainte de schimbarea accesoriilor.
16. Consultați paragraful **5.1 Încărcarea acumulatorului** pentru informații privind reîncărcarea.
17. Consultați paragraful **2. SPECIFICAȚII TEHNICE** pentru tipul de referință al bateriilor.
18. Asigurați-vă întotdeauna că aveți mâinile uscate înainte de a folosi ștecherul sau de a porni aparatul.
19. Nu manipulați niciodată aspiratorul manual și stația de încărcare cu mâinile ude sau umede.
20. Nu utilizați un cablu de alimentare, un ștecher sau o priză de curent deteriorată.
21. Desfășurați complet cablul de alimentare înainte de utilizare. Nu încărcați aparatul cu cablul de alimentare

neîntins deoarece acest lucru poate provoca supraîncălzire. Nu îndoiiți, nu întindeți și nu trageți cablul de alimentare pentru a evita electrocutarea.

22. Nu înfășurați cablul de alimentare în jurul marginilor ascuțite.
23. Nu lăsați cablul de alimentare să atârne peste margine, să atingă suprafețe fierbinți sau să se încurce. Nu așezați un obiect greu pe cablul de alimentare, acesta ar putea să-l rupă.
24. Nu scoateți niciodată ștecărul din priză folosind cablul de alimentare, și nu trageți cablul de alimentare pentru a manevra aparatul.
25. Înainte de conectarea la priză, asigurați-vă că nu există praf sau apă pe mufa de alimentare.
26. Conectați ștecărul cablului de alimentare la o priză ușor accesibilă, pentru a permite deconectarea rapidă a aparatului de la sursa de alimentare în caz de urgență.
27. Din motive de siguranță, se recomandă conectarea aparatului direct la propria priză electrică, pe un circuit dedicat, separat de alte aparate. Dacă circuitul electric este supraîncărcat cu alte aparate, este posibil ca aparatul dvs. să nu funcționeze corect. Nu se recomandă utilizarea împreună cu un prelungitor sau cu o extensie.
28. Nu lăsați cablul de alimentare desfăcut expus pe podea.
29. Poziționați mereu cablul de alimentare astfel încât nimeni să nu se împiedice și să nu se încâlcească în el.
30. Nu scufundați aparatul în apă. Nu utilizați acest aparat în apropierea apei.
31. Nu folosiți aparatul în cazul în care a căzut în apă sau în alte lichide. Apelați la ajutorul unui tehnician specializat în reparații pentru verificare.
32. Nu așezați aparatul în lumina directă a soarelui sau în spații înguste unde ventilația este restricționată


sau unde există surse de încălzire.

33. Nu expuneți aparatul la ploaie, umezeală și condiții de umezeală.
34. Nu folosiți aparatul dacă este vizibil deteriorat.
35. Se recomandă verificarea regulată a aparatului.
36. Scoateți și eliminați în siguranță orice material de ambalare și etichete promoționale înainte de a utiliza aparatul pentru prima dată. Nu scoateți etichetele de evaluare și informațiile de siguranță!
37. Depozitați și utilizați acest aspirator numai în medii cu temperatură ambientală. Este interzisă utilizarea produsului la temperaturi extrem de scăzute (sub 0 °C) sau ridicate (peste 40 °C).
38. Nu folosiți niciodată pentru a colecta ceva care fumegă sau arde, cum ar fi țigări, scrum fierbinte sau chibrituri.
39. Nu utilizați niciodată pentru a colecta lichide inflamabile sau combustibile, cum ar fi băuturi spirtoase metilate, benzină, acetonă etc., și nici nu utilizați în zona în care acestea pot fi prezente.
40. Nu folosiți niciodată pentru a colecta obiecte ascuțite și dure, cum ar fi piese de sticlă, așchii de metal, monede, cuie, șuruburi etc.
41. Nu folosiți niciodată pentru a colecta materiale corozive sau toxice, cum ar fi acizi minerali, soluții alcaline, oxidant, curățător de scurgere, înălbitor cu clor, amoniac etc.
42. Nu-l utilizați niciodată într-un spațiu închis umplut cu vapori degajați de vopsea pe bază de ulei, substanțe impermeabile pentru molii, diluant de vopsea, praf inflamabil sau alți vapori toxici sau explozivi.
43. Nu folosiți aparatul pentru a aspira lichide sau murdărie umedă.
44. Evitați utilizarea aspiratorului în locații cu lămpi de birou și lumânări, precum și în locații cu benzină, alcool distilat, diluant, scrumiere cu țigări aprinse etc.
45. Nu scurtcircuitați niciodată pinii de încărcare cu

- obiecte metalice precum șurubelnițe etc.
46. **PRECAUȚIE:** Nu deschideți în nicio situație carcasa. Nu vă introduceți degetele sau obiecte străine în orificiile aparatului și nu blocați gurile de aerisire. Orificiile de ventilație trebuie păstrate curate pentru ca aparatul să funcționeze corespunzător și pentru prevenirea încălzirii periculoase. Nu acoperiți aparatul.
  47. Înainte de fiecare utilizare, asigurați-vă că deschiderile sunt lipsite de praf, păr, scame și orice poate reduce fluxul.
  48. Reparațiile trebuie efectuate numai de către tehnicienii autorizați. Utilizatorii sau alte persoane neautorizate nu trebuie să încerce repararea sau dezasamblarea produsului. Reparațiile incorecte pot provoca pericole considerabile.
  49. Tensiunea de alimentare va fi identică cu cea indicată în cadrul specificațiilor tehnice și pe eticheta aparatului.
  50. Verificați dacă aspiratorul este intact. **NU** utilizați aparatul dacă este stricat.
  51. În cazul în care pinii ștecărului sunt deteriorați, ștecărul de alimentare nu va fi folosit.
  52.  Acest marcaj indică faptul că acest produs nu trebuie aruncat împreună cu alte deșeuri menajere. Pentru a preveni posibilele daune asupra mediului sau sănătății umane din depozitarea necontrolată a deșeurilor, reciclați-l în mod responsabil pentru a susține reutilizarea durabilă a resurselor materiale. Pentru a returna aparatul utilizat, utilizați sistemele de returnare și de colectare sau contactați distribuitorul unde a fost achiziționat produsul. Aceștia pot prelua acest produs pentru reciclarea ecologică.

## 1.1 INSTRUCȚIUNI DE SIGURANȚĂ PENTRU BATERIE

53. **AVERTISMENTE:** Aspiratorul cu tijă manuală conține baterii care nu pot fi înlocuite. Bateriile uzate nu trebuie aruncate în gunoiul menajer. Bateriile trebuie scoase din aparat înainte de a fi casate. Pentru a scoate bateriile, duceți aparatul la un loc de colectare/eliminare desemnat. Pentru siguranța dvs., nu încercați să scoateți singur bateriile. Dacă bateriile nu sunt scoase corect, acest lucru poate duce la deteriorarea bateriilor și a dispozitivului, poate cauza vătămări corporale și/sau poate face ca dispozitivul să nu mai poată fi folosit în siguranță.
54. Expunerea unei baterii la o temperatură extrem de ridicată în mediul înconjurător, ceea ce poate duce la o explozie sau la scurgeri de lichid sau gaz inflamabil.
55. O baterie supusă unei presiuni de aer extrem de scăzută, poate duce la o explozie sau la scurgerea de lichid sau gaz inflamabil.
56. În cazul în care lichidul bateriei curge și intră în contact cu ochii, pielea sau hainele, clătiți imediat cu multă apă curată. Contactați imediat medicul în caz de contact cu ochii sau cu pielea.
57. Bateriile reprezintă o unitate sigilată și, în condiții normale, nu prezintă pericol. Totuși, în cazul în care lichidul se scurge din baterii, nu atingeți lichidul și respectați următoarele măsuri de siguranță:
- **Contact cu pielea:** poate cauza iritație. Spălați cu apă și săpun.
  - **Inhalare:** poate cauza iritație respiratorie. Respirați aer curat și consultați personalul medical.
  - **Contact cu ochii:** poate cauza iritație. Clătiți imediat și temeinic ochii cu apă timp de cel puțin 15 minute. Consultați un medic.
  - **Eliminare:** Folosiți mănuși pentru a manipula bateria și eliminați-o imediat, conform normelor și regulamentelor locale.

58.  Bateriile nu trebuie aruncate împreună cu deșeurile menajere obișnuite. Reciclați-le în punctele de colectare prevăzute în acest scop. Contactați autoritățile locale sau distribuitorul pentru a primi instrucțiuni cu privire la reciclare. Eliminarea corectă a bateriilor vechi ajută la protejarea mediului și a sănătății umane.

## 2. SPECIFICAȚII TEHNICE

Baterie reîncărcabilă	Li-ion 22,2 V <sup>---</sup> , 2000 mAh (C6) 6INR19/66
Tensiunea nominală	21,6 V <sup>---</sup>
Putere nominală la intrare	130 W
Timpul de lucru când puterea de aspirare este redusă	30 minute
Timpul de lucru când puterea de aspirare este mare	15 minute
Puterea nominală a duzei de podea	15 W
Timpul de încărcare	4-5 ore
Capacitatea containerului de praf	0,5 L
Nivelul de putere acustică	78 dB
Puterea de aspirare	5-8 kPa, 27,5 W
Greutate netă (fără accesorii)	2,28 kg
Dimensiunea produsului în mm	1100 x 250 x 220 mm

RO

### 2.1 Datele tehnice ale adaptorului

Denumirea sau marca comercială a producătorului, numărul de înregistrare comercială și adresa	Shenzhen Jodeway Technology Co.,Ltd. 43rd Rifu Road, Baishixia East Area,Fuyong Street, Baoan District,Shenzhen, Guangdong, P. R. CHINA	
Identificator model	JOD-S-270050GS	-
Tensiune de intrare	100-240	V~
Frecvență de intrare AC	50-60	Hz
Tensiune de ieșire	27.0	V <sup>---</sup>
Curent de ieșire	0,5	A
Putere de ieșire	13.5	W
Eficiența medie activă	88,10	%
Eficiență în sarcină redusă (10%)	/	%
Consumul de energie fără încărcare	0,068	W

### 3. DESCRIEREA PRODUSULUI

- |  |   |
|--|---|
| 1. Filtru                                    | 14. Buton putere de aspirare                        |
| 2. Protecție filtru                          | 15. Butonul de deblocare a acumulatorului           |
| 3. Container de praf                         | 16. Adaptor   |
| 4. Butonul de deblocare a corpului principal | 17. Suport de montare pe perete                     |
| 5. Tub                                       | 18. Buton de deblocare a duzei de podea             |
| 6. Întrerupător                              | 19. Duză perie rotundă                              |
| 7. Mâner                                     | 20. Buton de deblocare a periei rotative            |
| 8. Buton deblocare container de praf         | 21. Perie rotativă                                  |
| 9. Corp principal                            | 22. Lumină cu LED                                   |
| 10. Deschideri pentru ventilație.            | 23. Țeava cu fantă                                  |
| 11. Acumulator                               | 24. Instrument motorizat pentru animale de companie |
| 12. Lumină indicatoare                       |   |
| 13. Fantă încărcare                          |   |

### 4. INSTALARE

RO

**Notă:** Acest aspirator cu tijă manuală nu este o unitate autonomă, iar în perioadele în care nu utilizați aparatul trebuie să îl plasați întotdeauna în suportul de perete sau să îl așezați în poziție orizontală pe podea într-o locație adecvată, astfel încât să preveniți riscul de a vă împiedica sau de a călca pe acesta. Nu lăsați aparatul la îndemâna copiilor și a animalelor de companie.

#### 4.1 Montarea suportului care se fixează pe perete

Produsul este proiectat pentru a fi așezat în poziție verticală în suportul de montare pe perete.

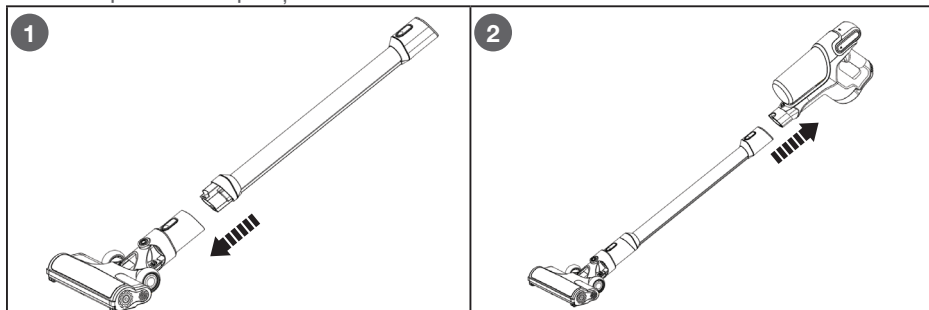
1. Alegeți o poziție de montare situată în apropierea prizei electrice.
2. Amplasați suportul de montare pe perete pe suprafața de montare. Marcați centrele a două găuri.
3. Deplasați suportul care se montează pe perete. Apoi, utilizați un burghiu electric cu un capăt de 6 mm pentru a executa cele două găuri în pozițiile marcate.

**Notă:** Aveți grijă, atunci când executați găurile, să nu atingeți un cablu electric sau o conductă care se pot afla în perete. Punctele de fixare trebuie să poată suporta întreaga greutate a produsului.

4. Montați ancore de comutare din plastic în găuri (nu sunt incluse în set).
5. Fixați suportul de montare pe perete și strângeți două șuruburi M4x20.
6. Suspendați aparatul.

#### 4.2 Asamblarea aspiratorului cu tijă verticală

1. Introduceți tubul în conectorul duzei de aspirare pentru podea, apăsând până când se fixează corespunzător în poziție.
2. Introduceți corpul principal în partea de sus a tubului, apăsând până când se fixează corespunzător în poziție cu un clic.





### 4.3 Montarea și demontarea accesoriilor

- **PRECAUȚIE:** Întotdeauna opriți aspiratorul înainte de a schimba accesoriile.
- **PRECAUȚIE: Pericol de rănire!** Nu țineți niciodată duza cu fantă aproape de corp deoarece este posibil să se lipească de piele. Dacă duza se blochează, opriți imediat aparatul.
- Toate cele trei accesorii: duza cu fantă, duza pentru suprafețe mici și duza cu perie rotundă pot fi conectate atât la tub, cât și direct la corpul principal.

### 4.4 Demontarea

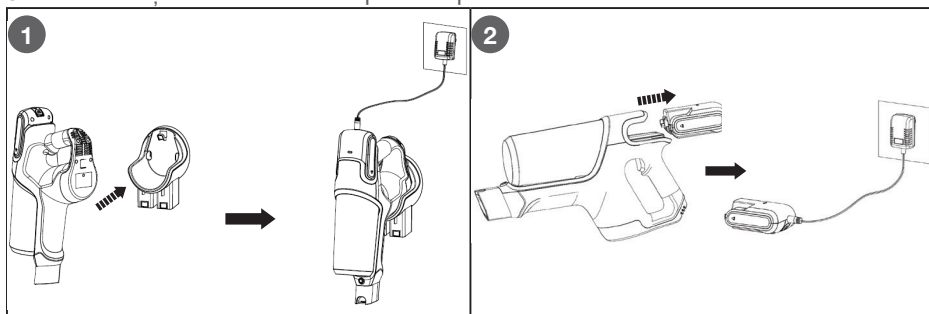
1. Pentru a deconecta tubul de corpul principal, apăsați pe butonul de deblocare al corpului principal și separați-le.
2. Pentru a utiliza unul dintre cele trei accesorii, deconectați mai întâi duza pentru podea sau tubul apăsând pe butonul de deblocare.
3. Pentru a deconecta orice accesoriu, apăsați pe butonul de deblocare al acestuia și trageți-l spre exterior.

## 5. UTILIZARE

### 5.1 Încărcarea acumulatorului

#### Observații:

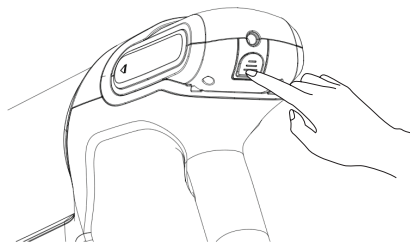
- Înainte de prima utilizare, bateria de tip litiu-ion trebuie încărcată complet, chiar dacă este furnizată parțial încărcată.
  - Încărcați aparatul doar cu ajutorul unității de alimentare furnizate!
  - Aparatul nu poate fi utilizat pe durata încărcării.
  - Înainte de încărcare, opriți aparatul. Procesul normal de încărcare durează 4-5 ore. Pentru a menține performanța optimă a bateriei, este recomandată încărcarea bateriei timp de 4-5 ore lunar în cazul în care aparatul nu este utilizat în mod regulat.
1. **Încărcarea bateriei când se află în interiorul aspiratorului cu tijă manuală:** Suspendați aparatul pe suportul de montare pe perete. Introduceți capătul încărcătorului în portul de încărcare aflat în partea de sus a acumulatorului.
  2. **Încărcarea bateriei atunci când este scoasă din aspiratorul cu tijă verticală:** Pentru a scoate bateria, apăsați pe butoanele de deblocare a bateriei și glisați în direcția inversă. Introduceți încărcătorul în portul de încărcare al bateriei.
  3. Introduceți încărcătorul într-o priză de perete.



**Notă:** Indicatorul de încărcare clipește albastru intermitent în timpul încărcării. Devine verde când bateria este încărcată complet.

## 5.2 Utilizarea aspiratorului

1. Introduceți accesoriul dorit în orificiul de aspirare al tubului sau direct în corpul principal.
2. Apăsăți pe butonul de pornire pentru a porni aparatul.
3. Acest aparat are o putere de aspirare scăzută și ridicată. Pentru a regla puterea de aspirare, apăsați pe butonul dedicat de pe acumulator.



4. După ce ați terminat aspirarea, apăsați din nou pe butonul de pornire pentru a opri aparatul.
5. Goliți și curățați containerul de praf. Suspended aparatul pe suportul de montare pe perete.

RO

## 6. ÎNTREȚINERE ȘI CURĂȚARE

**Notă:** Întotdeauna opriți și deconectați aparatul de la sursa de alimentare (dacă se încarcă) înainte de schimbarea accesoriilor, curățare sau lucrări de întreținere.

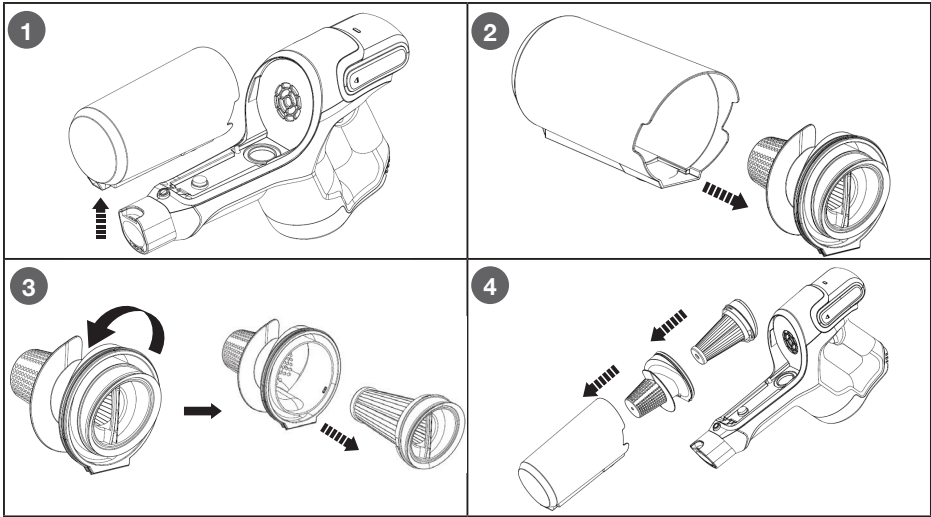
1. Nu scufundați aparatul, cablul său de alimentare sau adaptorul în apă sau în alte lichide.
2. Evitați lichidele și materialele corozive. Nu utilizați agenți de curățare abrazivi, substanțe chimice, agenți de curățare a sticlei, agenți de curățare universali, dezinfectați sau agenți de întreținere pe bază de ulei! Aceste produse pot deteriora aparatul.
3. Nu dezasamblați și nu modificați aparatul. Schimbările sau modificările vor anula garanția utilizatorului.
4. Pentru protecția bateriei încorporate, păstrați aparatul la o temperatură de 0-40°C și departe de accesul copiilor sau al animalelor de companie.

### 6.1 Curățarea corpului principal și a accesoriilor

1. Folosiți o lavetă moale și umedă pentru a șterge murdăria de pe corpul principal. Aveți grijă să nu lăsați apa să pătrundă în interiorul aparatului. Lăsați să se usuce complet înainte de utilizare.
2. Ștergeți accesoriile cu o lavetă moale și umedă și, dacă este necesar, cu un detergent blând. Lăsați-le să se usuce complet.

### 6.2 Curățarea containerului de praf

1. Apăsăți pe butonul de deblocare a containerului de praf și ridicați-l în sus pentru a-l separa de corpul principal. Aveți grijă să nu apăsați pe butonul de pornire.
2. Trageți cu grijă filtrul și protecția sa din containerul de praf pe un coș de gunoi. Goliți conținutul containerului de praf într-un coș de gunoi și curățați-l cu o lavetă umedă, o perie moale sau clătiți cu apă rece dacă este necesar. Verificați ca recipientul de praf să fie complet uscat înainte de a-l monta înapoi.
3. Scoateți filtrul din protecția filtrului rotindu-l spre stânga și ridicându-l în sus. Curățați filtrul cu o lavetă uscată sau o perie moale. Clătiți cu apă rece exteriorul filtrului și protecția filtrului până când apa rămâne curată, dacă este necesar. Spălați filtrul regulat sau la nevoie. Așezați filtrul și protecția filtrului pe o parte pentru a se usca complet.
4. Când este complet uscat, reinstalați prima dată protecția filtrului în containerul de praf. Puneți-l în protecția filtrului și blocați-l în poziție, rotindu-l spre dreapta. Verificați să fie montat corespunzător. Apoi montați filtrul în protecția filtrului.



RO

5. Reatașați containerul de praf la corpul principal.

### 6.3 Întreținerea duzei de podea

**Notă:** Dacă deplasați aspiratorul pe un obiect dur sau ascuțit sau dacă observați o schimbare a zgomotului în timpul aspirării, verificați dacă există blocaje sau obiecte prinse în peria rotativă.

1. Pentru a scoate peria rotativă, apăsați pe butonul de deblocare al acesteia și aceasta se va desprinde automat. Trageți ușor peria rotativă dintr-o parte.
2. Curățați peria rotativă și îndepărtați murdăria persistentă. Tăiați cu o foarfecă orice fire sau fire de păr care s-au înfășurat în jurul periei rotative. Ștergeți compartimentul periei rotative cu o cârpă moale, umedă. Lăsați-l să se usuce complet.
3. Reintroduceți peria rotativă în compartimentul său până când se fixează corespunzător în poziție.

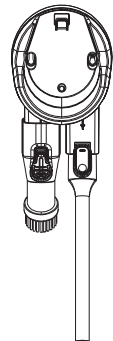
### 6.4 Verificarea blocajelor

#### 6.4.1 Verificarea blocajelor din corpul principal

1. Oprii aparatul.
2. Deconectați tubul din corpul principal apăsând pe butonul de deblocare al acestuia.
3. Verificați toate orificiile de admisie ale containerului de praf și îndepărtați orice reziduuri sau blocaje.

#### 6.4.2 Verificați dacă tubul este blocat

1. Oprii aparatul.
2. Deconectați tubul din corpul principal apăsând pe butonul de deblocare al acestuia.
3. Demontați duza de podea din tub apăsând pe butonul de deblocare a acesteia.
4. Îndepărtați orice reziduuri și blocaje.



### 6.5 Stocare

Pentru depozitarea accesoriului cu fantă și a duzei periei rotunde, utilizați suportul pentru accesorii, care este amplasat pe suportul care se montează pe perete.

## 7. GARANȚII ȘI LIMITE DE RESPONSABILITATE

Acest produs este garantat pentru o perioadă de 36 luni (incluzând garanția legală de 24 luni, așa cum este ea definită de legislația locală, dar și o garanție comercială suplimentară de 12 luni oferită de marcă) de la data cumpărării, împotriva oricărei defecțiuni care rezultă dintr-un viciu de fabricație sau problemă legată de materialele componente.

Această garanție nu acoperă daunele care rezultă dintr-o instalare eronată, din utilizarea incorectă sau din uzura normală a produsului. Mai exact, garanția nu acoperă:

- Daunele sau problemele cauzate de o utilizare incorectă, de un accident, o alterare sau de o conectare electrică de intensitate sau de tensiune neadevate.
- Produsele care au fost modificate sau al căror sigiliu sau număr de serie au fost deteriorate, modificate, îndepărtate sau ruginite.
- Bateriile înlocuibile și accesoriile sunt garantate pentru o perioadă de 6 luni.
- Avarierea bateriei, survenită în urma operațiunilor de încărcare prea lungi sau cauzată de nerespectarea recomandărilor de siguranță explicate în instrucțiuni.
- Deteriorare a aspectului, inclusiv zgârieturi, șocuri și orice alt element.
- Daunele cauzate de orice intervenție efectuată de o persoană neautorizată.
- Defecțiunile cauzate de uzura sau de învechirea normală a produsului.
- Actualizarea programului informatic, datorate modificării parametrilor de rețea.
- Avarierea produsului cauzată de utilizarea unor alte programe informatice pentru a modifica, schimba, adapta sau pentru a modifica programul informatic existent.
- Avarierea produsului cauzată de utilizarea acestuia fără accesoriile omologate de către producător.
- Produsele oxidate.

În niciun caz, producătorul nu poate fi considerat responsabil de pierderea informațiilor stocate pe disc. De asemenea, producătorul nu este obligat să verifice dacă utilizatorul a scos cartela SIM / SD din aparat în cazul produselor returnate.

Produsele reparate sau schimbate pot include componente și echipamente noi și/sau recondiționate.

### METODE DE IMPLEMENTARE

Pentru a beneficia de un service de garanție, vă rugăm să aduceți produsul la biroul de relații cu clienții al magazinului de la care l-ați achiziționat, având asupra dumneavoastră dovada cumpărării sale (bon de casă, factură, etc...) și accesoriile furnizate, împreună cu ambalajul original.

Este important să vă amintiți data la care ați achiziționat produsul, modelul și numărul de serie sau IMEI (aceste informații figurează în general pe produs, pe ambalaj sau pe dovedă de cumpărare).

În mod implicit, trebuie să aduceți produsul în magazin împreună cu accesoriile necesare funcționării sale corecte (alimentare, adaptor, etc.)

În cazul în care dauna suferită de produs este acoperită de garanție, serviciul post-vânzare va putea, în limitele legislației locale fie:

- Să repare sau să înlocuiască piesele defecte.
- Să schimbe produsul returnat cu un produs care are cel puțin aceleași funcționalități și care este echivalent în termeni de performanță.
- Să vă ramburseze valoarea produsului la prețul de achiziționare menționat pe documentul prezentat drept dovadă a cumpărării.

În eventualitatea unei reparații acoperite de garanție, durata de acordare a garanției se va prelungi cu 6 luni, Dar nu va mai fi acordată în caz de defecțiuni repetate.

## СОДЕРЖАНИЕ:


1. ПРАВИЛА ТЕХНИКИ БЕЗОПАСНОСТИ	С. 93
2. ТЕХНИЧЕСКИЕ ХАРАКТЕРИСТИКИ	С. 100
3. ОПИСАНИЕ ИЗДЕЛИЯ	С. 101
4. УСТАНОВКА	С. 101
5. ЭКСПЛУАТАЦИЯ	С. 102
6. ОБСЛУЖИВАНИЕ И ОЧИСТКА	С. 103
7. ГАРАНТИЯ И МАСШТАБ ОТВЕТСТВЕННОСТИ	С. 105

### 1. ПРАВИЛА ТЕХНИКИ БЕЗОПАСНОСТИ

Перед использованием этого изделия внимательно прочтите инструкции ниже и сохраните руководство пользователя для дальнейшего использования.

1. Прибор разрешается эксплуатировать детям от 8 лет и старше, лицам с ограниченными физическими, сенсорными или умственными возможностями, а также лицам, не обладающим достаточным опытом и знаниями, только под присмотром или после прохождения инструктажа о порядке безопасной эксплуатации прибора и сопутствующих рисках.
2. Детям запрещается играть с прибором.
3. Очистка и обслуживание прибора детьми допускаются только под надзором.
4. Шнур питания необходимо регулярно проверять на предмет возможных повреждений или износа. Если шнур питания поврежден, его необходимо заменить специальным шнуром или узлом, предоставляемым производителем или его официальным сервисом. Не пользуйтесь поврежденным шнуром питания, так как это может привести к поражению электрическим током или пожару.
5. Прибор предназначен для использования исключительно с блоком питания, входящим в комплект поставки.

RU

6.  **ВНИМАНИЕ.** Для подзарядки аккумуляторной батареи используйте только съемный блок питания (JOD-S-270050GS), входящий в комплект поставки данного устройства.
7. Данный прибор содержит аккумуляторные батареи, не подлежащие замене.
8. Перед очисткой или техническим обслуживанием прибора необходимо извлечь вилку из розетки.
9. При техническом обслуживании прибора необходимо соблюдать меры предосторожности. Указания по очистке и техническому обслуживанию прибора см. в разделе «**ОБСЛУЖИВАНИЕ И ОЧИСТКА**».
10. **ПРЕДУПРЕЖДЕНИЕ:** Только для использования в бытовых целях внутри помещений! Не используйте прибор вне помещений.
11. Не используйте прибор после его падения, при наличии видимых повреждений или протечке аккумуляторной батареи.
12. Держите волосы, свободные элементы одежды, пальцы и другие части тела подальше от отверстий.
13. **ВНИМАНИЕ.** Запрещено использовать прибор без фильтра. Оптимальный сбор пыли достигается только при использовании чистого фильтра и пустого контейнера пылесборника.
14. Во избежание повреждения прибора и/или получения травм запрещено использовать какие-либо аксессуары, кроме входящих в комплект поставки.
15. Перед заменой аксессуаров необходимо выключить прибор.
16. Информацию по зарядке см. в разделе **5.1 «Зарядка аккумуляторной батареи»**.
17. Раздел **2. «ТЕХНИЧЕСКИЕ ХАРАКТЕРИСТИКИ»** содержит сведения о типах батарей.

18. Дотрагивайтесь до вилки и выключайте прибор только сухими руками.
19. Не прикасайтесь к пылесосу и зарядной станции мокрыми руками.
20. Запрещено использовать поврежденный шнур питания, вилку или розетку.
21. Перед эксплуатацией полностью размотайте шнур питания. Запрещено заряжать прибор со свернутым шнуром питания, так как это может привести к перегреву. Во избежание поражения электрическим током не перегибайте, не растягивайте и не тяните за шнур питания.
22. Не прокладываете шнур питания через острые края.
23. Следите за тем, чтобы шнур питания не свисал с края, не касался горячих поверхностей и не образовывал узел. Не ставьте на шнур питания тяжелые предметы, которые могут повредить его.
24. Не тяните за шнур питания, чтобы извлечь вилку из розетки или передвинуть прибор.
25. Перед подключением к розетке убедитесь, что на вилке отсутствует пыль или вода.
26. Подключите сетевую вилку к легкодоступной розетке, чтобы быстро отключить прибор от электросети в случае чрезвычайной ситуации.
27. В целях безопасности рекомендуется подключать прибор непосредственно к отдельной электрической розетке в специализированной цепи, без других приборов. Перегрузка электроцепи другими приборами может привести к сбою в эксплуатации прибора. Не рекомендуется использовать прибор в сочетании с удлинителями различных типов.
28. Не оставляйте шнур питания лежать на полу.
29. Расположите его так, чтобы исключить возможность споткнуться или запутаться.

30. Не погружайте прибор в воду. Не используйте прибор вблизи воды.
31. Запрещено пользоваться прибором, если он упал в воду или другую жидкость. Прибор должен быть проверен квалифицированным техническим специалистом.
32. Запрещено размещать прибор под прямыми солнечными лучами, в закрытом пространстве с ограниченной вентиляцией или с другими источниками тепла.
33. Не допускайте воздействия дождя и условий влажности.
34. Запрещено использовать изделие при наличии видимых повреждений.
35. Рекомендуется регулярно осматривать прибор.
36. Перед первым использованием прибора удалите и безопасным образом утилизируйте все упаковочные материалы и рекламные этикетки. Не снимайте паспортные таблички и информацию по безопасности!
37. Хранение и эксплуатация пылесоса допустимы только при комнатной температуре. Запрещено использовать прибор при чрезвычайно низких (ниже 0 °С) или высоких (выше 40 °С) температурах.
38. Запрещено использовать прибор для сбора дымящихся или горящих предметов, например сигарет, горячей золы или спичек.
39. Запрещено использовать прибор для сбора воспламеняющихся или горючих жидкостей, например метилового спирта, бензина, ацетона и т. д., а также в зонах, где могут присутствовать эти жидкости.
40. Запрещено собирать прибором острые и твердые предметы, например осколки стекла, металлическую стружку, монеты, гвозди, винты и т. д.



41. Запрещено собирать прибором корродирующие или токсичные вещества, например неорганические кислоты, щелочные растворы, окислители, средства для удаления засоров, хлорсодержащий отбеливатель, аммиак и т. д.
42. Запрещено использовать прибор в закрытых пространствах, содержащих пары масляной краски, противомольных веществ, разбавителей краски, воспламеняющейся пыли или другие токсичные или взрывоопасные пары.
43. Запрещено использовать прибор для сбора воды, жидкостей или влажной грязи.
44. Не следует использовать пылесос вблизи настольных ламп, свечей, а также мест, содержащих бензин, дистиллированный спирт, растворители, пепельницы с зажженными сигаретами и т. д.
45. Запрещено закорачивать зарядные штырьки металлическими объектами, например отвертками и т. д.
46. **ПРЕДУПРЕЖДЕНИЕ:** Ни при каких обстоятельствах не вскрывайте корпус прибора. Не вставляйте пальцы или посторонние предметы в отверстия на корпусе прибора; не загораживайте вентиляционные отверстия. Воздух должен свободно проходить через вентиляционные отверстия, чтобы прибор работал надлежащим образом и для предотвращения опасного перегрева. Не накрывайте прибор.
47. Перед каждым использованием проверяйте, что в отверстиях отсутствует пыль, волосы, ворсинки и что-либо, что может ограничить поток.
48. Ремонт может осуществляться только уполномоченными техническими специалистами. Пользователи или другие неуполномоченные лица не должны пытаться выполнить ремонт или демонтаж прибора. Ненадлежащий ремонт может привести к существенной опасности.

49. Напряжение питания должно соответствовать указанному в технических характеристиках и на паспортной табличке прибора.
50. Проверьте исправность пылесоса. **НЕ** пользуйтесь поврежденным прибором.
51. Если контакты вилки повреждены, штепсельный источник питания необходимо утилизировать.
52.  Данная маркировка означает, что устройство не следует выбрасывать вместе с другими бытовыми отходами. Чтобы предотвратить возможный вред окружающей среде или здоровью человека от неконтролируемой утилизации отходов, необходимо ответственно относиться к их вторичной переработке и способствовать энергоэффективному повторному использованию материальных ресурсов. Чтобы вернуть отработавшее устройство, обратитесь в пункт возврата и сбора или к розничному торговцу, у которого было приобретено изделие. Они передадут изделие на экологически безопасную переработку.

RU

#### 1.1 ИНСТРУКЦИИ ПО БЕЗОПАСНОЙ ЭКСПЛУАТАЦИИ ЭЛЕМЕНТА ПИТАНИЯ

53. **ПРЕДУПРЕЖДЕНИЯ:** Портативный ручной пылесос содержит аккумуляторные батареи, не подлежащие замене. Использованные батареи нельзя утилизировать вместе с бытовым мусором. Перед утилизацией батареи необходимо извлечь из устройства. Для извлечения батарей прибор необходимо отправить на соответствующую площадку для утилизации/сбора отходов. Для вашей безопасности не пытайтесь извлекать аккумуляторные батареи самостоятельно. Если батареи извлечь неправильно, это может привести к повреждению батарей и устройства, причинить травмы и/или сделать устройство небезопасным.

54. Воздействия на аккумулятор чрезмерно горячей окружающей среды. Это может привести к взрыву или утечке воспламеняющейся жидкости или газа;
55. Воздействие на батарею очень низкого давления может привести к взрыву или утечке воспламеняющейся жидкости или газа.
56. При протекании батарейки и контакте с глазами, кожей или одеждой обильно промойте пораженное место водой. При контакте с глазами или кожей обратитесь к врачу.
57. Батареи герметичны и при нормальных условиях не представляют угрозу безопасности. В маловероятном случае протекания батареи не прикасайтесь к жидкости и соблюдайте следующие меры предосторожности:
- **Контакт с кожей:** может вызвать раздражение. Промойте водой с мылом.
  - **Вдыхание:** может вызвать раздражение дыхательных путей. Выйдите на свежий воздух и обратитесь к врачу.
  - **Попадание в глаза:** может вызвать раздражение. Тщательно промывайте глаза минимум 15 минут. Обратитесь за медицинской помощью.
  - **Утилизация:** наденьте перчатки и немедленно утилизируйте батареи в соответствии с предписаниями местных органов власти.
58.  Запрещено утилизировать батарейки вместе с бытовыми отходами. Передайте их в предназначенные для этого пункты сбора. Проконсультируйтесь по поводу утилизации с местными органами власти или вашим дилером. Надлежащая утилизация старых батареек способствует охране окружающей среды и здоровья человека.

## 2. ТЕХНИЧЕСКИЕ ХАРАКТЕРИСТИКИ

Аккумуляторная батарея	Литий-ионная на 22,2 В <sup>---</sup> , 2000 мА·ч (С6) 61NR19/66
Номинальное напряжение	21,6 В <sup>---</sup>
Номинальная мощность	130 Вт
Время работы в режиме низкой мощности всасывания	30 мин
Время работы в режиме высокой мощности всасывания	15 мин
Номинальная мощность щетки	15 Вт
Время зарядки	4–5 часов
Объем емкости пылесборника	0,5 л
Уровень звуковой мощности	78 дБ
Мощность всасывания	5-8 кПа, 27,5 Вт
Масса нетто (без аксессуаров)	2,28 кг
Размеры прибора в мм	1100 x 250 x 220 мм

RU

### 2.1 Технические характеристики адаптера

Наименование производителя или торговой марки, регистрационный номер в торговом реестре и адрес	Shenzhen Jodeway Technology Co.,Ltd. 43rd Rifu Road, Baishixia East Area, Fuyong Street, Baoan District, Shenzhen, Guangdong, P. R. CHINA	
Идентификационный номер модели	JOD-S-270050GS	-
Входное напряжение	100–240	В~
Входная частота переменного тока	50-60	Гц
Выходное напряжение	27,0	В <sup>---</sup>
Выходная сила тока	0,5	А
Выходная мощность	13,5	Вт
Средний активный КПД	88,10	%
КПД при низкой нагрузке (10 %)	/	%
Потребляемая мощность без нагрузки	0,068	Вт

### 3. ОПИСАНИЕ ИЗДЕЛИЯ

- |  |  |
|--|--|
| 1. Фильтр                                    | 13. Зарядное отверстие                       |
| 2. Защита фильтра                            | 14. Кнопка мощности всасывания               |
| 3. Емкость пылесборника                      | 15. Кнопка фиксации аккумуляторной батареи   |
| 4. Кнопка разблокировки блока питания        | 16. Адаптер питания                          |
| 5. Труба                                     | 17. Настенный кронштейн                      |
| 6. Выключатель электропитания                | 18. Кнопка фиксации щетки                    |
| 7. Ручка                                     | 19. Круглая щетка                            |
| 8. Кнопка разблокировки емкости пылесборника | 20. Кнопка фиксации круглой щетки            |
| 9. Основной корпус                           | 21. Роликовая щетка                          |
| 10. Вентиляционные отверстия                 | 22. Светодиодная лампа                       |
| 11. Аккумуляторный блок                      | 23. Щелевая насадка                          |
| 12. Световой индикатор                       | 24. Моторизованная насадка для уборки шерсти |

### 4. УСТАНОВКА

**Примечание.** Ручной пылесос не является автономным устройством, и между использованиями должен всегда размещаться на настенном кронштейне или лежать на полу в подходящем месте, чтобы о него нельзя было запнуться или наступить. Храните прибор вне доступа детей и домашних животных.

RU

#### 4.1 Монтаж настенного кронштейна

Прибор предназначен для вертикального размещения на настенном кронштейне.

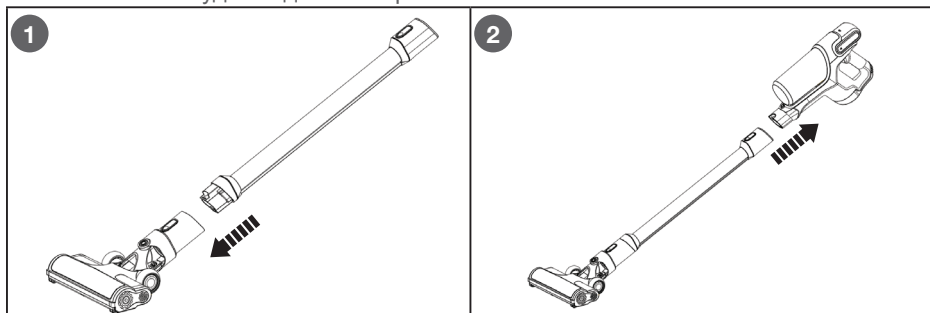
1. Выберите положение установки рядом с электрической розеткой.
2. Приложите настенный кронштейн к установочной поверхности. Разметьте центры двух отверстий.
3. Уберите настенный кронштейн. Затем просверлите два отверстия по разметке с помощью дрели со сверлом на 6 мм.

**Примечание.** Следите за тем, чтобы не просверлить скрытые трубы или кабели питания при подготовке крепежных отверстий. Точки крепления должны выдерживать полный вес прибора.

4. Вставьте в отверстия пластиковые дюбели (не поставляются в комплекте).
5. Прикрепите настенный кронштейн к стене и затяните два винта M4x20.
6. Повесьте прибор.

#### 4.2 Сборка ручного пылесоса

1. Вставьте трубку в соединитель щетки, вдавив ее до фиксации со щелчком.
2. Вставьте верхнюю часть трубки в основной корпус, перемещая ее до тех пор, пока она не будет надежно закреплена.



### 4.3 Установка и снятие аксессуаров

- **ПРЕДУПРЕЖДЕНИЕ:** Перед заменой аксессуаров всегда сначала выключайте пылесос.
- **ПРЕДУПРЕЖДЕНИЕ: Риск травмы!** Запрещено держать щелевую насадку близко к телу, так как она может присосаться к коже. В таком случае немедленно выключите прибор.
- Все три приспособления — щелевую насадку, малую щетку и круглую щетку — можно присоединить как к трубке, так и непосредственно к основному корпусу.

### 4.4 Разборка

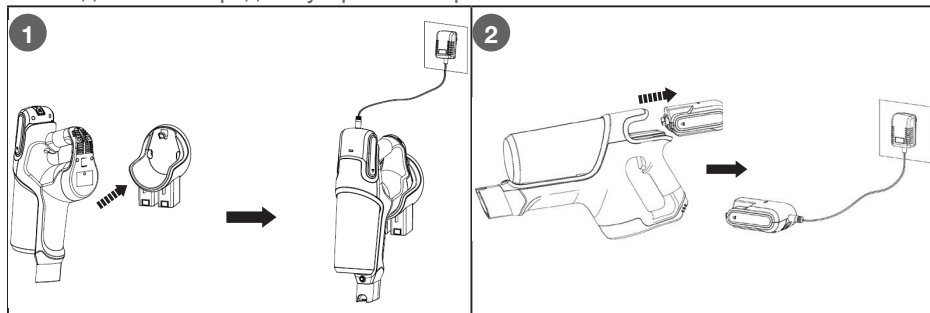
1. Для снятия трубки с основного корпуса нажмите на кнопку отсоединения на основном корпусе и отсоедините деталь.
2. Для использования одного из трех приспособлений, отсоедините щетку или трубку, нажав на кнопку фиксатора.
3. Для отсоединения приспособления нажмите кнопку отсоединения на и уберите приспособление.

## 5. ЭКСПЛУАТАЦИЯ

### 5.1 Зарядка аккумуляторной батареи

#### Примечания.

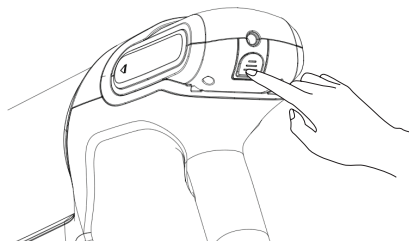
- Перед первым использованием необходимо полностью зарядить литий-ионную батарею, даже если она поставляется частично заряженной.
  - Заряжайте прибор только при помощи поставленного блока питания!
  - Прибор запрещено использовать во время зарядки.
  - Выключите прибор перед зарядкой. Обычно процесс зарядки занимает 4–5 часов. Для поддержания максимальной производительности батареи рекомендуется заряжать ее в течение 4–5 часов один раз в месяц, если прибор не используется регулярно.
1. **Зарядка аккумулятора в ручном пылесосе.** Повесьте прибор на настенный кронштейн. Подключите соединитель зарядного устройства к зарядному порту в верхней части аккумуляторного блока.
  2. **Зарядка аккумулятора, извлеченного из ручного пылесоса.** Для удаления аккумулятора нажмите кнопки фиксации и сдвиньте аккумулятор назад. Подключите соединитель зарядного устройства к зарядному порту на аккумуляторе.
  3. Подключите зарядное устройство к розетке.



**Примечание.** Во время зарядки индикатор уровня заряда будет мигать синим цветом. По достижении полного заряда он начнет гореть зеленым.

## 5.2 Эксплуатация пылесоса

1. Присоедините нужное приспособление к всасывающему отверстию трубки или непосредственно к основному корпусу.
2. Для включения прибора нажмите кнопку питания.
3. У этого прибора есть режимы низкой и высокой мощности всасывания. Для регулировки мощности всасывания нажмите кнопку мощности всасывания на аккумуляторном блоке.



4. После завершения уборки нажмите кнопку питания снова, чтобы отключить прибор.
5. Опорожните и очистите емкость пылесборника. Повесьте прибор на настенный кронштейн.

## 6. ОБСЛУЖИВАНИЕ И ОЧИСТКА

**Примечание.** Всегда выключайте и отключайте прибор от сети (при зарядке) перед заменой аксессуаров, очисткой или техническим обслуживанием.

1. Не погружайте прибор, шнур питания и адаптер в воду или любые другие жидкости.
2. Не допускайте контакта с коррозионными жидкостями и материалами. Не используйте абразивные чистящие средства, химические вещества, чистящие средства для стекол, универсальные чистящие средства, дезинфицирующие средства или средства для ухода на масляной основе! Эти вещества могут повредить прибор.
3. Не разбирайте и не модифицируйте прибор. В случае изменений или модификаций гарантия будет недействительна.
4. Для защиты встроенной батареи храните прибор в сухом недоступном для детей и домашних животных месте при температуре 0–40 °С.

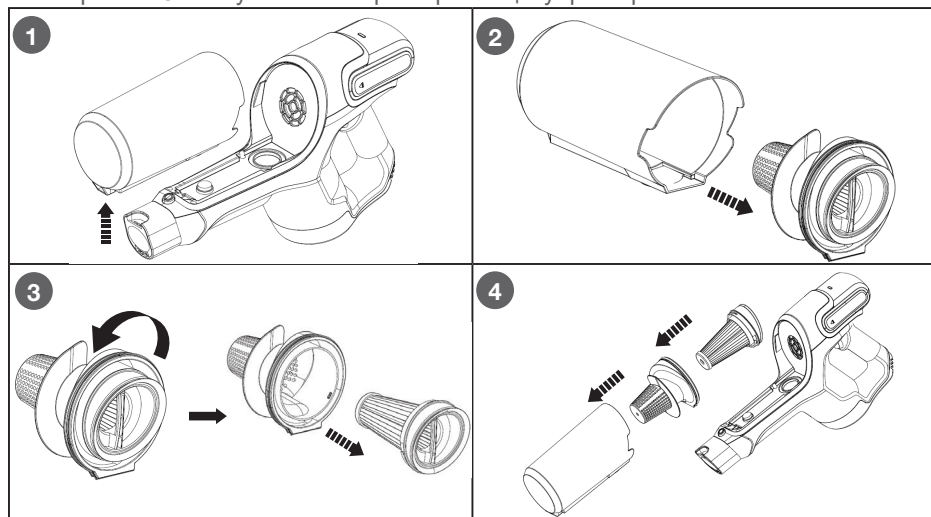
### 6.1 Очистка основного корпуса и аксессуаров

1. Протирайте основной корпус мягкой влажной тканью. Не допускайте попадания воды внутрь прибора. Перед использованием дайте прибору полностью высохнуть.
2. Очищайте аксессуары мягкой влажной тканью. При необходимости используйте небольшое количество мягкого моющего средства. Дайте аксессуарам полностью высохнуть.

### 6.2 Очистка емкости пылесборника

1. Нажмите кнопку фиксации пылесборника и поднимите пылесборник вверх, чтобы извлечь емкость из основного корпуса. Соблюдайте осторожность, чтобы не нажать кнопку питания.
2. Осторожно извлеките фильтр и его защиту из емкости пылесборника над мусорным контейнером. Вытряхните содержимое емкости пылесборника в мусорный контейнер и очистите влажной тканью, мягкой щеткой или при необходимости промойте холодной водой. Перед установкой на место проверьте, что емкость пылесборника полностью высохла.
3. Поверните фильтр против часовой стрелки и поднимите его вверх, чтобы извлечь его из защиты. Очистите фильтр сухой тканью или мягкой щеткой. При необходимости промойте фильтр и его защиту снаружи холодной водой до ее прозрачности. Промывайте фильтр регулярно или по необходимости. Положите фильтр и его защиту на бок и оставьте до полного высыхания.

- После полного высыхания установите сначала защиту фильтра на место в емкость пылесборника. Вставьте фильтр в защиту и зафиксируйте его, повернув по часовой стрелке. Проверьте, что она установлена надлежащим образом. Затем установите фильтр в защиту фильтра.



- Установите емкость пылесборника в основной корпус.

### 6.3 Обслуживание щетки

**Примечание.** Если вы наедете на твердый или острый объект или заметите изменение звука при работе пылесоса, осмотрите пылесос на предмет засорения или попадания объектов в роликовую щетку.

- Чтобы снять роликовую щетку, нажмите кнопку фиксации роликовой щетки, и она поднимется вверх автоматически. Аккуратно вытащите роликовую щетку сбоку.
- Очистите роликовую щетку и удалите стойкие загрязнения. Обрежьте ножницами нитки и волосы, намотавшиеся на роликовую щетку. Протрите отсек роликовой щетки мягкой, влажной тканью. Дайте ей полностью высохнуть.
- Установите роликовую щетку на место. Убедитесь, что она зафиксировалась со щелчком.

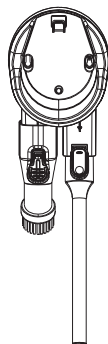
### 6.4 Проверка на предмет засорений

#### 6.4.1 Проверка на предмет засорений в основном корпусе

- Выключите прибор.
- Отсоедините трубку от основного корпуса, нажав на кнопку отсоединения на основном корпусе.
- Проверьте все входные отверстия до емкости пылесборника и удалите загрязнения и засорение.

#### 6.4.2 Проверка на предмет засорений в трубке

- Выключите прибор.
- Отсоедините трубку от основного корпуса, нажав на кнопку отсоединения на основном корпусе.
- Отсоедините щетку от трубки, нажав на кнопку фиксации щетки.
- Удалите загрязнения и засорения.



### 6.5 Хранилище

Для хранения щелевой насадки и круглой щетки используйте держатель приспособлений на настенном кронштейне.



## 7. ГАРАНТИЯ И МАСШТАБ ОТВЕТСТВЕННОСТИ

На данный продукт распространяется гарантия сроком 36 месяцев (включая юридическую гарантию сроком 12 месяцев, предусмотренную местным законодательством, и дополнительную коммерческую гарантию сроком 24 месяца, предлагаемую производителем) со дня покупки на любые неисправности, вызванные дефектом производства или материала.

Данная гарантия не покрывает ущерб, причиненный неправильной установкой, неправильным использованием либо обычным износом. Точнее, гарантия не распространяется на:

- повреждения или проблемы, возникшие в результате неправильной эксплуатации, несчастных случаев, физического воздействия или подключения к электросети с несоответствующей силой тока или напряжением;
- изделия с признаками изменения конструкции или поврежденными, измененными, удаленными или выцветшими гарантийными пломбами или серийными номерами;
- сменные аккумуляторы и аксессуары, гарантийный срок для которых составляет 6 месяцев;
- отказ в работе батареи, возникший в результате чересчур продолжительной зарядки или несоблюдения правил техники безопасности, приведенных в руководстве пользователя;
- эстетические дефекты, включая царапины, вмятины и повреждения иного характера;
- повреждения, вызванные вмешательством неуполномоченных специалистов;
- неисправности, вызванные естественным износом или старением устройства;
- обновления программного обеспечения вследствие изменения параметров сети;
- неисправности в работе устройства вследствие использования стороннего программного обеспечения, направленного на изменение, модификацию или адаптирование установленных программ;
- неисправности в работе устройства вследствие его использования с аксессуарами, не утвержденными производителем;
- подверженные окислению изделия.

Ни в каких случаях производитель не несет ответственность за утерю данных, хранящихся на диске. Помимо того, производитель не обязан проверять, были ли извлечены SIM-карты и карты SD из изделий, подлежащих возврату.

Отремонтированные и замененные изделия могут содержать как новые, так и бывшие в употреблении компоненты и технические принадлежности.

### МЕТОДЫ РЕАЛИЗАЦИИ

Чтобы воспользоваться гарантийным обслуживанием, следует отнести изделие в место покупки и предоставить документ, подтверждающий приобретение изделия и дополнительных принадлежностей (например, кассовый или товарный чек и т. д.), а также оригинальную упаковку.

На изделии, упаковке или в документе, свидетельствующем о факте покупки, должна фигурировать такая важная информация, как дата покупки, модель и серийный номер или номер IMEI.

За неимением таковых предоставьте вместе с изделием элементы, необходимые для его правильной работы, такие как шнур питания, адаптер и т.д.

Если гарантия распространяется на вашу претензию, отдел послепродажного обслуживания в рамках местного законодательства может предпринять следующие меры:

- починить или заменить неисправные детали;
- обменять возвращенный продукт на аналогичный с как минимум такими же возможностями и равнозначный по эффективности;
- возместить покупателю сумму, равную цене покупки, указанной в документе, являющемся доказательством факта покупки.

Если изделие подлежит гарантийному ремонту, срок гарантийного обслуживания будет продлен на 6 месяцев, но ни в коем случае не будет суммироваться в случае возникающих впоследствии неисправностей.

## ЗМІСТ:

1. ІНСТРУКЦІЇ З ТЕХНІКИ БЕЗПЕКИ	С. 106
2. ТЕХНІЧНІ СПЕЦИФІКАЦІЇ	С. 113
3. ОПИС ПРИСТРОЮ	С. 114
4. ВСТАНОВЛЕННЯ	С. 114
5. ВИКОРИСТАННЯ	С. 115
6. ОБСЛУГОВУВАННЯ ТА ЧИЩЕННЯ	С. 116
7. ГАРАНТІЯ ТА МЕЖІ ВІДПОВІДАЛЬНОСТІ	С. 118

### 1. ІНСТРУКЦІЇ З ТЕХНІКИ БЕЗПЕКИ

Перед використанням цього пристрою уважно ознайомтеся з цими інструкціями та зберігайте цей посібник користувача для використання в майбутньому.

1. Цим пристроєм можуть користуватися діти віком від 8 років, а також особи з обмеженими фізичними, сенсорними чи розумовими здібностями, або з відсутністю досвіду та знань, але лише під наглядом або після проведення з ними інструктажу щодо безпечного використання цього пристрою та усвідомлення ними небезпеки, що впливає з використання цього пристрою.
2. Діти не повинні гратися з цим пристроєм.
3. Діти не повинні чистити та доглядати прилад без нагляду дорослих.
4. Регулярно перевіряйте кабель живлення на ознаки пошкодження або зношення. У разі пошкодження замініть його спеціальним кабелем або системою, які можна придбати у виробника чи в сервісному центрі. Не використовуйте пошкоджений кабель живлення. Це може призвести до ураження струмом або спричинити пожежу.
5. Цей прилад має використовуватися виключно із блоком електроживлення, наданим разом із приладом.


6.  **УВАГА.** Щоб зарядити акумуляторну батарею, використовуйте тільки той знімний блок електроживлення (JOD-S-270050GS), що був наданий разом із пристроєм.
7. Цей пристрій містить незмінні акумуляторні батареї.
8. Перед очищенням або обслуговуванням пристрою необхідно вийняти вилку живлення з мережевої розетки.
9. Будьте обережні під час обслуговування пристрою. Про обслуговування та очищення читайте у пункті «**ОБСЛУГОВУВАННЯ ТА ЧИЩЕННЯ**».
10. **ПОПЕРЕДЖЕННЯ:** Лише для побутового використання у приміщенні! Використовуйте цей пристрій тільки у приміщенні.
11. Не використовуйте пристрій, якщо він упав, має видимі ознаки пошкодження або акумуляторна батарея протікає.
12. Тримайте волосся, вільний одяг, пальці та інші частини тіла подалі від отворів.
13. **УВАГА.** Ніколи не використовуйте пристрій без фільтра. Найкраще всмоктування пилу буде тільки в тому разі, якщо фільтр буде чистим, а пилосбірник порожнім.
14. Щоб уникнути пошкодження пристрою та/або травмування, використовуйте тільки надані виробником аксесуари.
15. Перед заміною аксесуарів вимкніть пристрій.
16. Інформацію щодо зарядження пристрою читайте в пункті **5.1 Зарядження акумуляторної батареї**.
17. Див. розділ **2. ТЕХНІЧНІ СПЕЦИФІКАЦІЇ**, щоб дізнатися тип акумуляторних батарей.
18. Перш ніж вставляти вилку або вмикати прилад, завжди стежте, щоб руки були сухі.
19. Ніколи не торкайтеся ручного пилососа й зарядної док-станції вологими або мокрими руками.

20. Не використовуйте пошкоджений кабель живлення, вилку живлення або незакріплену електричну розетку.
21. Перед використанням повністю розмотайте кабель живлення. Не заряджайте пристрій, якщо кабель живлення скручений. Це може спричинити перегрівання. Щоб уникнути ураження електричним струмом, не згинайте, не розтягуйте й не тягніть кабель живлення.
22. Не прокладайте кабель живлення через гострі краї.
23. Не допускайте, щоб кабель живлення звисав над краєм, торкався гарячих поверхонь або заплутувався. Не ставте на кабель живлення важкі предмети, які можуть його пошкодити.
24. Ніколи не виймайте вилку з розеток та не переміщуйте пристрій, тягнучи за кабель живлення.
25. Перш ніж вставити вилку живлення у мережеву розетку, переконайтеся, що на вилці немає пилу або води.
26. Щоб швидко відключити пристрій від електромережі у випадку надзвичайної ситуації, під'єднуйте його легко доступної розетки.
27. З міркувань безпеки рекомендується підключати пилосос до призначеної для нього розетки в спеціально виділеному контурі, окремо від інших приладів. Якщо електричний контур перевантажено іншими приладами, пилосос може не працювати належним чином. Не рекомендується використовувати з розгалужувачем або подовжувачем живлення.
28. Не залишайте кабель живлення на підлозі.
29. Завжди розташовуйте кабель живлення таким чином, щоб ніхто не міг за нього зачепитись або заплутатися у ньому.
30. Не занурюйте пристрій у воду. Не використовуйте його поблизу води.

31. Не використовуйте пристрій, якщо він упав у воду чи інші рідини. Пристрій повинен перевірити кваліфікований спеціаліст з ремонту.
32. Не залишайте пристрій під прямими сонячними променями або у закритому приміщенні з поганою вентиляцією або з іншими джерелами тепла.
33. Не залишайте пристрій під дощем, а також в умовах підвищеної вологості.
34. Не використовуйте пристрій з видимими пошкодженнями.
35. Рекомендується регулярно оглядати прилад.
36. Перед першим використанням ручного пилососа зніміть і безпечно викиньте всі пакувальні матеріали та рекламні наклейки. Не знімайте паспортні таблички та інформацію з техніки безпеки!
37. Зберігайте й використовуйте цей пилосос лише при кімнатній температурі. Заборонено використовувати пристрій при занадто низьких (нижче 0 °C) або високих (вище 40 °C) температурах.
38. Ніколи не використовуйте ручний пилосос для збирання предметів, що димляться або горять, наприклад, сигарет, гарячого попелу або сірників.
39. Ніколи не використовуйте пристрій для збирання легкозаймистих або горючих рідин, наприклад, метилового спирту, бензину, ацетону тощо, а також не використовуйте пилосос там, де ці рідини можуть бути присутні.
40. Ніколи не використовуйте пристрій для збирання гострих і твердих предметів, наприклад, скла, металевої стружки, монет, цвяхів, гвинтів тощо.
41. Ніколи не використовуйте пристрій для збирання корозійних або токсичних матеріалів, наприклад, мінеральних кислот, лужних розчинів, окислювачів, засобів для видалення засмічень в трубах, хлорних засобів для відбілювання, аміаку тощо.

42. Ніколи не використовуйте пристрій у закритому приміщенні, заповненому випарами фарби на масляній основі, речовин, що захищають від молі, розчинника фарби, горючим пилом або іншими токсичними або вибухонебезпечними парами.
43. Не використовуйте пристрій для всмоктування води, рідин або вологого бруду.
44. Уникайте використання пілососа в місцях із настільними лампами й свічками, а також у місцях з бензином, дистильованим спиртом, розчинником, попільничками з непогашеними сигаретами тощо.
45. Ніколи не допускайте короткого замикання зарядних контактів металевими предметами, наприклад викрутками тощо.
46. **ПОПЕРЕДЖЕННЯ:** У жодному разі не відкривайте корпус пілососа. Ніколи не вставляйте пальці або сторонні предмети в отвори пристрою і не закривайте вентиляційні отвори. Щоб пристрій працював безперебійно, а також щоб уникнути небезпечного перегріву, не закривайте вентиляційні отвори. Забороняється накривати пристрій.
47. Перед кожним використанням переконайтеся, що в отворах немає пилу, волосся, ворсу й всього, що може перешкоджати потоку.
48. Тільки особи з відповідною кваліфікацією можуть ремонтувати пристрій. Користувачі або інші некваліфіковані особи не повинні ремонтувати або розбирати пристрій. Некваліфікований ремонт може призвести до значних небезпечних наслідків.
49. Напруга в електромережі повинна відповідати технічним специфікаціям та паспортній табличці пристрою.
50. Переконайтеся, що пілосос не пошкоджений. **НЕ** використовуйте їх, якщо він зламаний чи розбитий.

51. Якщо штир вилки пошкоджений, вилку необхідно утилізувати.


52.  Це маркування вказує, що даний виріб заборонено викидати зі звичайним побутовим сміттям. Щоб уникнути небезпеки для навколишнього середовища або здоров'я людей від неконтрольованої утилізації відходів, здавайте їх на переробку, яка дозволяє знову використовувати відновлювані матеріали. Для повернення використаного пристрою скористайтесь системою повернення та приймання або зверніться за інформацією до продавця, в якого ви придбали даний пристрій. Вони можуть прийняти даний пристрій для його безпечної переробки.

#### 1.1 ПРАВИЛА ТЕХНІКИ БЕЗПЕКИ ПРИ ВИКОРИСТАННІ БАТАРЕЙОК

53. **УВАГА.** Ручний вертикальний пилосос містить незмінні акумуляторні батареї. Використані батареї не можна утилізувати разом із побутовим сміттям. Перед утилізацією приладу акумулятор має бути вилучений. Щоб вийняти батареї, віднесіть пристрій до спеціалізованого центру утилізації та збору. Задля вашої безпеки не намагайтеся вийняти батареї самостійно. Якщо їх вийняти неправильно, можна пошкодити самі батареї або пристрій, зазнати травмування й (або) зробити батареї небезпечними для життя та здоров'я.

54. Не залишайте батарейку під впливом високої навколишньої температури, це може призвести до вибуху або витoku вогненебезпечної рідини або газу.

55. Не піддавайте батарейку впливу надзвичайно низького тиску повітря. Це може призвести до вибуху або витoku вогненебезпечної рідини чи газу.

56. У разі витікання рідини з батарейки й контакту з очима, шкірою або одягом негайно промийте великою кількістю чистої води. У разі потрапляння в очі або на шкіру негайно зверніться до лікаря.
57. Акумуляторні батареї — герметичний блок. За звичайних обставин вони не становлять небезпеки. Якщо з акумуляторної батареї буде витікати рідина, що малоймовірно, не торкайтесь цієї рідини й дотримуйтесь таких запобіжних заходів:
- **Потрапляння на шкіру:** може спричинити подразнення. Змийте водою з милом.
  - **Вдихання:** може спричинити подразнення дихальних шляхів. Вийдіть на свіже повітря та зверніться за медичною допомогою.
  - **Потрапляння в очі:** може спричинити подразнення. Негайно промийте очі водою протягом щонайменше 15 хвилин. Зверніться за медичною допомогою.
  - **Утилізація:** щоб взяти в руки акумуляторну батарею, надягайте рукавички. Утилізуйте батареї якомога швидше, дотримуючись приписів або інструкцій місцевих органів влади.
58.  Батарейки не слід утилізувати разом із побутовими відходами. Утилізуйте їх у передбачених для цього пунктах збору. Зверніться за порадами стосовно утилізації до місцевих органів влади або до свого дилера. Правильна утилізація старих батарейок допомагає зберегти довкілля та здоров'я.



## 2. ТЕХНІЧНІ СПЕЦИФІКАЦІЇ

Акумуляторна батарея	Літій-іонна 22,2 В $\text{---}$ , 2000 мА·год. (С6) 61NR19/66
Номинальна напруга	21,6 В $\text{---}$
Номинальна потужність	130 Вт
Час роботи, якщо потужність всмоктування низька	30 хвилин
Час роботи, якщо потужність всмоктування висока	15 хвилин
Номинальна потужність щітки для підлоги	15 Вт
Час зарядки	4–5 годин
Ємність пилозбірника	0,5 л
Рівень звукової потужності	78 дБ
Потужність всмоктування	5-8 кПа, 27,5 Вт
Вага нетто (без аксесуарів)	2,28 кг
Розмір пристрою в мм	1100 x 250 x 220 мм

### 2.1 Технічні характеристики адаптера

UA

Назва виробника або торгової марки, номер реєстрації у торговому реєстрі та адреса	Shenzhen Jodeway Technology Co.,Ltd. 43rd Rifu Road, Baishixia East Area,Fuyong Street, Baoan District,Shenzhen, Guangdong, P. R. CHINA	
Код моделі	JOD-S-270050GS	-
Вхідна напруга	100–240	В $\sim$
Частота вхідного змінного струму	50-60	Гц
Вихідна напруга	27,0	В $\text{---}$
Вихідний струм	0,5	А
Вихідна потужність	13,5	Ш
Середній ККД в активному стані	88,10	%
ККД за низького навантаження (10%)	/	%
Споживана потужність без навантаження	0,068	Ш

### 3. ОПИС ПРИСТРОЮ

- |   |   |
|---|---|
| 1. Фільтр                                 | 14. Кнопка перемикання потужності всмоктування          |
| 2. Захист для фільтра                     | 15. Кнопка фіксатора блока акумуляторної батареї        |
| 3. Пилозбірник                            | 16. Адаптер   |
| 4. Кнопка розблокування головного корпусу | 17. Настінний кронштейн                                 |
| 5. Трубка                                 | 18. Кнопка фіксатора щітки для підлоги                  |
| 6. Вимикач живлення                       | 19. Кругла щітка  |
| 7. Ручка                                  | 20. Кнопка фіксатора щітки-валика                       |
| 8. Кнопка фіксатора пилозбірника          | 21. Щітка-валик   |
| 9. Корпус                                 | 22. Світлодіоди   |
| 10. Вентиляційні отвори                   | 23. Щілинна насадка-носок                               |
| 11. Блок акумуляторної батареї            | 24. Моторна щітка для догляду за хутром домашніх тварин |
| 12. Індикатор                             |   |
| 13. Гніздо для зарядження                 |   |

### 4. ВСТАНОВЛЕННЯ

**Примітка:** Цей ручний вертикальний пилосос не може стояти сам по собі. Між використаннями його треба завжди встановлювати в настінний кронштейн або класти на підлогу там, де немає небезпеки спотикатися об нього або наступити на пристрій. Зберігайте прилад у місці, недоступному для дітей і домашніх тварин.

#### 4.1 Кріплення настінного кронштейна

Пристрій треба встановлювати вертикально в настінному кронштейні.

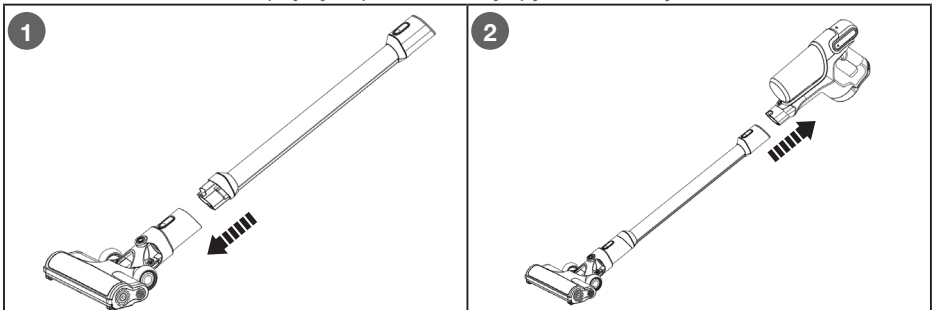
1. Виберіть ділянку для монтажу, що розташована поблизу електричної розетки.
2. Розмістіть настінний кронштейн на монтажній поверхні. Відмітьте центр двох отворів.
3. Перемістіть настінний кронштейн. Потім зробіть два отвори у відмічених місцях за допомогою електричного дрילה зі свердлом діаметром 6 мм.

**Примітка:** Під час пробивання монтажних отворів будьте обережними, щоб не просвердлити труби або кабелі, які можуть знаходитися під поверхнею. Точки кріплення мають витримувати повну вагу виробу.

4. Вставте в отвори пластикові дюбеля-метелики (не входять до комплекту).
5. Закріпіть кронштейн на стіні та затягніть два гвинти M4x20.
6. Повісьте пристрій.

#### 4.2 Збирання ручного вертикального пилососа

1. Вставте трубку в щітку для підлоги, натиснувши на неї до клацання.
2. Вставте основний корпус у верхню частину трубки, натиснувши на неї до клацання.



### 4.3 Встановлення та зняття аксесуарів

- **ПОПЕРЕДЖЕННЯ:** Перш ніж змінити аксесуари, завжди вимикайте пиросос.
- **ПОПЕРЕДЖЕННЯ: Ризик травмування!** Ніколи не підносьте щілинну насадку близько до тіла — вона може присмоктатися до шкіри. Якщо це сталося, негайно вимкніть пристрій.
- Усі три аксесуари (щілинна насадка, маленька щітка для підлоги та кругла щітка) можуть бути з'єднанні як з трубкою, так і безпосередньо з основним корпусом.

### 4.4 Розбирання

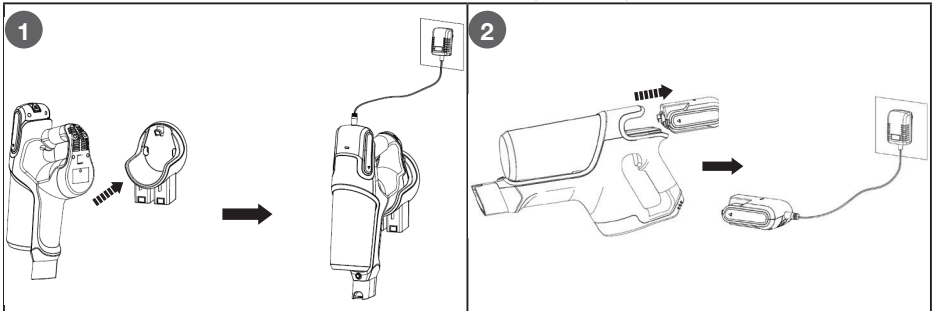
1. Щоб від'єднати трубку від корпусу, натисніть кнопку фіксатора основного корпусу й роз'єднайте їх.
2. Щоб використати один з трьох аксесуарів, спочатку від'єднайте щітку для підлоги або трубку, натиснувши кнопку її фіксатора.
3. Щоб від'єднати будь-який аксесуар, натисніть кнопку фіксатора й витягніть його.

## 5. ВИКОРИСТАННЯ

### 5.1 Зарядження акумуляторної батареї

#### Примітки:

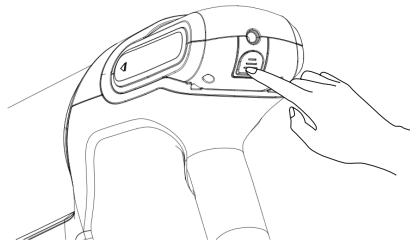
- Перед першим використанням повністю зарядіть акумуляторну літій-іонну батарею, навіть якщо вона частково заряджена.
  - Заряджайте пристрій, використовуючи тільки блок живлення, що входить до комплекту!
  - Не використовуйте пристрій під час зарядження!
  - Перед зарядженням вимкніть пристрій. Зазвичай зарядження займає 4–5 годин. Щоб підтримувати максимальні параметри акумуляторної батареї, рекомендується заряджати її протягом 4–5 годин один раз на місяць, якщо пристрій не використовується регулярно.
1. **Зарядження акумуляторної батареї в ручному вертикальному пирососі:** Повісьте пристрій на настінний кронштейн. Вставте пристрій для зарядження в роз'єм для зарядження у верхній частині блока акумуляторної батареї.
  2. **Зарядження акумуляторної батареї без ручного вертикального пирососа:** Щоб вийняти акумуляторну батарею, натисніть кнопку фіксатора батареї та посуньте її назад. Вставте пристрій для зарядження в роз'єм для зарядження на акумуляторній батареї.
  3. Вставте пристрій для зарядження в настінну розетку.



**Примітка:** Під час зарядження індикатор блимає синім кольором. Коли пристрій повністю заряджений, він починає горіти зеленим кольором.

## 5.2 Використання пилососа

1. Вставте потрібний аксесуар у всмоктувальний отвір трубки або безпосередньо в основний корпус.
2. Щоб увімкнути пристрій, натисніть кнопку живлення.
3. У цього пристрою є низька й висока потужність всмоктування. Щоб її регулювати, натисніть кнопку потужності всмоктування на блоці акумуляторної батареї.



4. Коли ви закінчите пилососити, натисніть кнопку живлення ще раз, щоб вимкнути пристрій.
5. Спорожніть і очистіть пилосбірник. Повісьте пристрій на настінний кронштейн.

## 6. ОБСЛУГОВУВАННЯ ТА ЧИЩЕННЯ

**Примітка:** Перед зміною аксесуарів, очищенням або обслуговуванням завжди вимикайте й від'єднуйте пристрій від джерела живлення (якщо він заряджається).

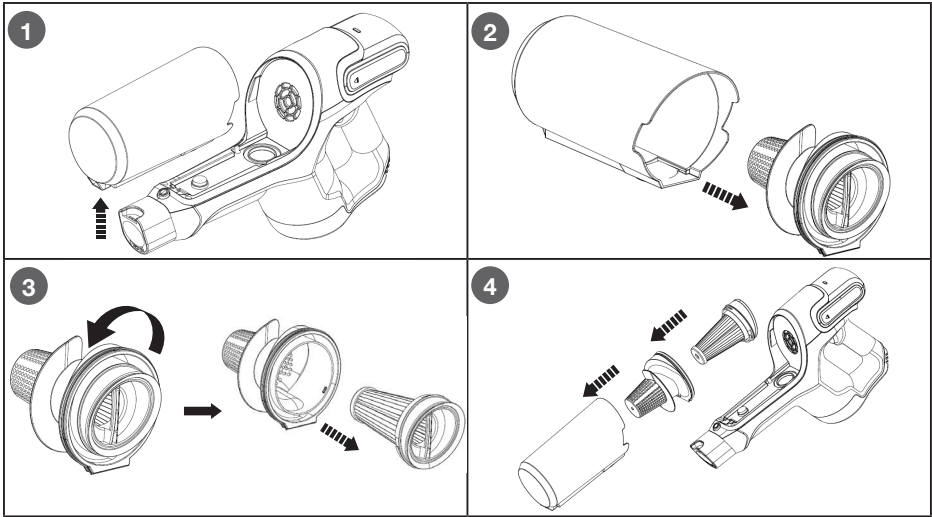
1. Не занурюйте пристрій, його кабель живлення та адаптер у воду або інші рідини.
2. Уникайте агресивних рідин і матеріалів. Не використовуйте абразивні миючі засоби, хімічні продукти, засоби для чищення скла, універсальні миючі засоби, дезінфекційні засоби або засоби на нафтовій основі! Ці продукти можуть призвести до пошкодження пристрою.
3. Не розбирайте та не модифікуйте пристрій. Зміни або модифікації анулюють гарантію користувача.
4. Щоб захистити вбудовану акумуляторну батарею, зберігайте в сухому місці при температурі 0–40 °C й в недоступному для дітей та домашніх тварин місці.

### 6.1 Очищення корпусу й аксесуарів

1. Щоб очистити корпус пилососа від забруднення, протріть його м'якою вологою ганчіркою. Стежте за тим, щоб вода не потрапила всередину пристрою. Перед використанням його необхідно повністю висушити.
2. Протріть аксесуари м'якою вологою ганчіркою з м'яким миючим засобом у разі потреби. Дайте їм повністю просохнути.

### 6.2 Очищення контейнера-пилосбірника

1. Натисніть кнопку фіксатора пилосбірника й потягніть його вгору, щоб зняти з корпусу пилососа. Будьте обережні, не натисніть кнопку живлення.
2. Обережно витягніть фільтр та його захист із контейнера-пилосбірника. Висипте вміст пилосбірника в смітник і очистіть його вологою ганчіркою, м'якою щіткою або промийте холодною водою в разі потреби. Повністю висушіть пилосбірник, перш ніж ставити його на місце.
3. Витягніть фільтр із захисту, повернувши його проти годинникової стрілки й потягнувши вгору. Очистіть фільтр сухою ганчіркою або м'якою щіткою. У разі потреби помістіть зовнішню частину фільтра та його захисту під струмінь води й промивайте, доки вода не стане чистою. Мийте фільтр регулярно або в разі потреби. Залиште фільтр і його захист повністю просохнути.
4. Після повного висихання вставте у контейнер-пилосбірник спочатку захист для фільтра. Помістіть його у захист для фільтра й зафіксуйте на місці, повернувши за годинниковою стрілкою. Переконайтеся, що він встановлений належним чином. Потім вставте фільтр у його захист.



5. Вставте пилозбірник в корпус.

### 6.3 Обслуговування щітки для підлоги

**Примітка:** Якщо під час використання пилососа ви наїхали на твердий або гострий предмет чи помітили зміну звуку, перевірте пристрій на наявність закупорки або стороннього предмета на щітці-валику.

1. Щоб зняти щітку-валик, натисніть кнопку фіксатора й вона вискочить автоматично. Обережно витягніть щітку-валик збоку.
2. Очистіть щітку-валик і видаліть стійкий бруд. Нитки або волосся, які обмоталися навколо щітки-валика, обріжте ножицями. Протріть місце для кріплення щітки-валика м'якою вологою ганчіркою. Дайте повністю просохнути.
3. Зафіксуйте щітку-валик у місці для її кріплення.

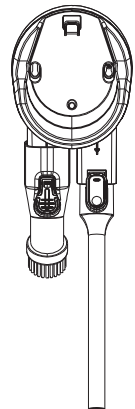
### 6.4 Перевірка на наявність закупорки

#### 6.4.1 Перевірка основного корпусу на наявність закупорки

1. Вимкніть пристрій.
2. Від'єднайте трубку від основного корпусу, натиснувши кнопку фіксатора основного корпусу.
3. Огляньте всі повітрязабірники пилозбірника й видаліть сміття або закупорки.

#### 6.4.2 Перевірка трубки на наявність закупорки

1. Вимкніть пристрій.
2. Від'єднайте трубку від основного корпусу, натиснувши кнопку фіксатора основного корпусу.
3. Роз'єднайте щітку для підлоги й трубку, натиснувши кнопку фіксатора щітки для підлоги.
4. Видаліть сміття та закупорки.



### 6.5 Зберігання

Зберігайте щільну насадку й круглу щітку в тримачі для аксесуарів, який знаходиться на настінному кронштейні.

## 7. ГАРАНТІЯ ТА МЕЖИ ВІДПОВІДАЛЬНОСТІ

Цей виріб має гарантію на строк до 3 років (включаючи 2-річну юридичну гарантію відповідно до місцевого законодавства, а також додаткову 12-місячну комерційну гарантію, пропонувану торговою маркою) із дня покупки на будь-які несправності, викликані дефектом виробництва чи матеріалу.

Ця гарантія не поширюється на пошкодження, що виникли в результаті неправильної установки, неправильного використання або нормального зносу виробу. Точніше, гарантія не поширюється на:

- Пошкодження чи проблеми, спричинені неправильною експлуатацією, нещасним випадком, несанкціонованим втручанням або підключенням до електромережі з невідповідною силою струму чи напругою.
- Пристрої, які були модифіковані або в яких гарантійна пломба чи серійний номер були пошкоджені, змінені, видалені або окиснені.
- Батареї, що замінюються, та аксесуари мають гарантію на 6 місяців.
- Проблеми в роботі акумулятора, викликані надто довгим зарядженням чи недотриманням правил техніки безпеки, наведених у посібнику користувача.
- Косметичні пошкодження, зокрема подряпини, вм'ятини тощо.
- Пошкодження, викликані втручанням некваліфікованих спеціалістів.
- Дефекти, викликані звичайним зношенням або старінням виробу.
- Оновлення програмного забезпечення у зв'язку зі зміною параметрів мережі.
- Проблеми в роботі виробу, викликані використанням стороннього програмного забезпечення для модифікації, зміни, адаптації чи модифікації наявного.
- Проблеми в роботі виробу, викликані експлуатацією без аксесуарів, офіційно визнаних виробником.
- Окиснені вироби.

UA

У жодному разі виробник не відповідає за втрату даних, що зберігаються на диску. Також виробник не зобов'язаний перевіряти, чи вийняв користувач карти SIM/SD з виробів, що повертаються.

Відремонтовані чи замінені вироби можуть містити нові та/чи відновлені елементи чи обладнання.

### СПОСОБИ РЕАЛІЗАЦІЇ

Щоб скористатися гарантією, вам необхідно повернути виріб до місця його придбання разом із доказом покупки (чеком, накладною, ...) товару чи аксесуарів у комплекті та з оригінальною упаковкою.

Важливо мати інформацію стосовно дати придбання, моделі та серійного номеру чи IMEI (міжнародний ідентифікатор мобільного обладнання) (цю інформацію ви можете знайти на товарі, упаковці чи доказі покупки).

В іншому разі ви повинні принести виріб разом з аксесуарами, потрібними для його належної роботи (живлення, адаптер тощо).

Якщо гарантія поширюється на вашу претензію, відділ сервісного обслуговування в межах місцевого законодавства може:

- Полагодити або замінити несправні деталі.
- Обміняти повернений продукт на аналогічний з, як мінімум, такими ж можливостями й рівнозначний за ефективністю.
- Повернути вартість придбаного товару, вказану на документі, що підтверджує покупку.

У разі ремонту, на який поширюється гарантія, ваш гарантійний термін буде продовжений на 6 місяців, але не буде додаватися в разі повторних поломок.



**FR** - Service Clients Auchan France - 200 rue de la Recherche 59650 Villeneuve d'Ascq - 03 59 30 59 30 - [www.auchan.fr](http://www.auchan.fr)

**ES** - Alcampo, S.A. - Supermercados Sabeco, S.A. C/ Santiago de Compostela Sur, s/n - 28029 Madrid - e-mail: [d.calidad@alcampo.es](mailto:d.calidad@alcampo.es)

**PT** - Serviço Auchan - Auchan Portugal Hipermercados, S.A., Travessa Teixeira Júnior, n.º 1, 1300 – 553 Lisboa, E-mail: [info.MarcaAuchan@auchan.pt](mailto:info.MarcaAuchan@auchan.pt)

**PL** - Dystrybutor: Auchan Polska Sp. z o.o., ul. Puławska 46, 05-500 Piaseczno - [www.auchan.pl](http://www.auchan.pl)

**HU** - Forgalmazza: Auchan Magyarország Kft, 2040 Budaörs, Sport u. 2-4. - [www.auchan.hu](http://www.auchan.hu)

**RO** - Auchan România SA, Str. Braşov nr.25, Sector 6, Cod poştal 061444, Bucureşti, România - [www.auchan.ro](http://www.auchan.ro)

600102999  
VC3926F-GS

 **Auchan**

SAS OIA, 200, rue de la Recherche, Le Colibri  
BP 169, 59650 Villeneuve d'Ascq, France  
[www.auchan-retail.com/contact](http://www.auchan-retail.com/contact)

.....  
Made in China

