

## ENGLISH

<b>Care and Maintenance</b> .....	3
<b>Tech Specs</b> .....	3
Audio .....	3
Lighting .....	3
Wireless connectivity .....	3
TWS compatible with .....	3
Audio input .....	3
microSD playback .....	3
Battery .....	3
<b>Product Contents</b> .....	3
<b>Overview</b> .....	4
<b>Power on/off</b> .....	4
<b>Playback modes</b> .....	4
Bluetooth --> microSD --> Audio in .....	4
<b>Playback control</b> .....	4
<b>Bluetooth® wireless connection (BT)</b> .....	5
True Wireless Stereo (TWS) .....	5
Control de llamadas (función Manos Libres) .....	5
Voice Assistant .....	5
<b>External memories</b> .....	6
<b>Auxiliary audio input</b> .....	6
<b>Lighting Modes</b> .....	6
<b>Charging the battery</b> .....	7
<b>Reset</b> .....	7
<b>Warranty</b> .....	7

ENERGY  SISTEM



Thank you for trusting us and purchasing your new *Sunrise / Bloom Speaker*. We hope you enjoy it.

## Care and Maintenance

---

- Do not expose your *Sunrise / Bloom Speaker* to shock or high temperatures.
- Do not use corrosive or abrasive cleaning products.
- Do not disassemble. Any repair must be done exclusively by qualified Energy System Technology, S.A. personnel.
- Be sure to keep your *Sunrise / Bloom Speaker* turned off when not in use and do not leave it for a long period of time with the battery completely discharged.

## Tech Specs

---

### Audio

- System: 1.0
- Power: 10 W
- Speakers: 1 full-range 40 mm
- Bass radiators: dual membrane
- Frequency response: 80 Hz ~ 18 KHz

### Lighting

- RGB LED

### Wireless connectivity

- Bluetooth® v5.3, class II. Up to 20 meters range
- Supports HFP / A2DP / AVRCP profiles
- Compatible with SBC codecs
- Working frequency: 2.4 GHz (2.402 ~ 2.480 GHz)
- Maximum transmitting power: < 20 dBm
- Hands-free function. Microphone sensitivity: -42 dB
- TWS (True Wireless Stereo) technology
- Compatible with Google/Siri voice assistant

### TWS compatible with

- Sunrise / Bloom

### Audio input

- 3.5mm stereo mini jack auxiliary audio input

### microSD playback

- microSD decoder: plays MP3 and WAV files from external memory up to 128 GB capacity in FAT / FAT32 / exFAT format
- Folder skip function

### Battery

- Capacity: 1800 mAh / 3,7V
- Type: lithium-ion
- Battery life at medium volume: up to 18 hours\*.
- Charging time: 2.5 hours
- Power supply: 5V / 2A
- Charging system: USB type C

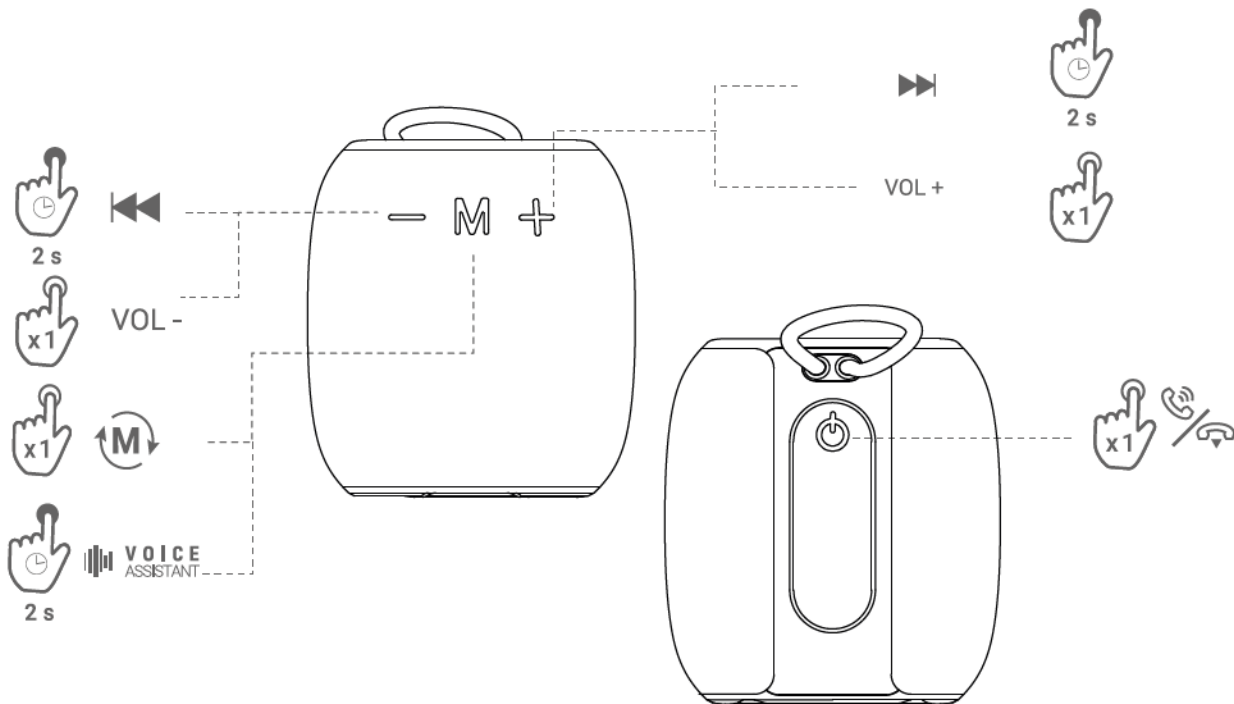
**Note:** \*Autonomy varies according to the volume level selected and the type of music played.

## Product Contents

---

- Speaker
- USB Type-C charging cable

## Overview



## Power on/off

To turn on your *Sunrise / Bloom Speaker*, press and hold the rear power button for 2 seconds. You will hear a welcome sound.

To turn off the device, press and hold the same button again for 2 seconds. You will hear a goodbye sound and it will turn off.

**Note:** You can force the device to turn off. To do so, press the reset button hidden inside the 3.5mm mini jack auxiliary line.

## Playback modes

Once your *Energy Speaker* has been switched on, you can choose the playback mode you prefer. Press the M button successively until the desired mode is selected. The sequence of playback modes will loop in the following order:

Bluetooth --> MicroSD --> Audio in

## Playback control

Once you have chosen the playback mode for your music, you can control playback from the speaker itself.

Press the Power button to start or pause playback.

Press the - or + button to increase or decrease the volume. You will hear a warning sound when you reach the maximum volume.

Press and hold the - or + buttons for 2 seconds to rewind or fast forward the song respectively.

If you connect a microSD card, you can change folder contents by pressing and holding the M button for 2 seconds.

**Note:** If you are using the Auxiliary audio input 3,5mm you can only control playback from your external player.

## Bluetooth® wireless connection (BT)

---

To pair a Bluetooth® device, press the M button and select Bluetooth® mode. You will hear a confirmation beep in search mode.

Now access the Bluetooth® settings of your device and search for your *Energy Speaker SBB* among the detected devices. Once selected, the connection will be established immediately and you will hear a confirmation beep.

When you turn on your *Sunrise / Bloom Speaker* again, it will automatically pair, as long as your device's Bluetooth® connection is activated.

If your *Sunrise / Bloom Speaker* is not paired with any device for 5 minutes, the speaker will automatically turn off.

The Bluetooth® wireless connection range is up to 20 meters.

### True Wireless Stereo (TWS)

This technology allows you to wirelessly connect up to 20 meters away another *Sunrise / Bloom Speaker* to increase the power and create a stereo system by separating the left and right channels.

To do this, turn on both speakers and double press the M button on one of them. They will make a sound indicating that both speakers have been synchronized.

Then connect the Bluetooth of your transmitting device (Smartphone, tablet, PC, TV, etc) and make the Bluetooth connection following the steps described in the previous section.

Both units will sound in unison, one speaker will play the left channel (L) and the other the right channel (R).

The next time you turn on your speakers in Bluetooth® mode, they will connect to each other automatically.

To deactivate the True Wireless Stereo function, double-tap the M button again on one of the two speakers.

When playing in TWS mode, you can switch songs and change the volume from either speaker. The selected volume is common to both speakers, i.e. by increasing the volume on one of the two speakers you will be increasing the volume of both devices at the same time.

**Note:** This function is only available in Bluetooth® mode. In all other playback modes (microSD or auxiliary input) a TWS connection is not possible.

### Control de llamadas (función Manos Libres)

Una vez sincronizado tu *Sunrise / Bloom Speaker* con tu Smartphone podrás controlar tus llamadas desde el propio altavoz.

Al recibir una llamada, la canción que estés escuchando se detendrá y sonará el tono de llamada. Para contestar la llamada pulsa el botón Encendido/Apagado, y para finalizarla pulsa nuevamente dicho botón.

**Nota:** Cuando recibas una llamada y estés utilizando la función TWS, solo escucharás la conversación a través del altavoz conectado a tu Smartphone.

### Voice Assistant

Your *Sunrise / Bloom Speaker* can activate the voice assistant of your Smartphone. To do this, press and hold the M button for two seconds to directly activate your smartphone's assistant via Bluetooth® wireless connection.

This function will allow you to ask questions to your voice assistant and complete tasks in a natural and simple way.

You can consult the operating guides for Google Assistant and Siri on the respective manufacturer's websites.

## External memories

Your *Sunrise / Bloom Speaker* plays ".mp3" or ".wav" files in FAT/FAT32 file system from a microSD card up to 128 GB capacity. Insert the microSD card into the microSD slot inside the connector compartment. The device will automatically read the memory and after a few seconds will start playing the content.

If you turn off your *Sunrise / Bloom Speaker* or change playback mode, the instant of playback will be stored in the device's internal memory, so it will always continue playing the last song you listened to.

Press the On/Off button to play or pause your favorite song.

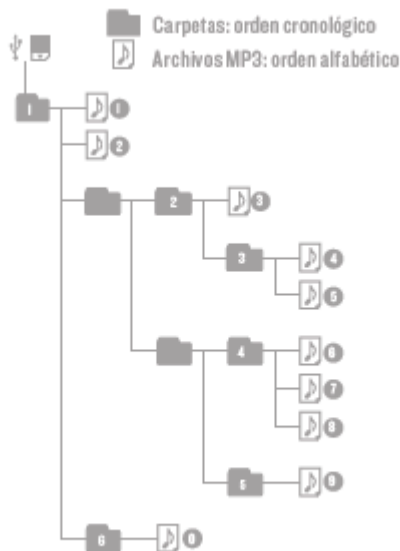
Press the - or + button to enjoy your music playback at your desired power level. You will hear a warning sound when you reach the maximum volume.

Fast forward or rewind songs by pressing and holding the - or + button for 2 seconds respectively.

You can jump between folders within the memory contents by pressing and holding the M button.

The folders and files contained in the root of the external USB and microSD flash drives are read in chronological order of writing and the songs contained in the folders are read in alphabetical order.

A diagram of the reading order is shown below:



## Auxiliary audio input

In addition your *Sunrise / Bloom Speaker* has an auxiliary audio input for connecting external devices using a 3.5 mm mini jack audio cable.

**Note:** -In this mode of use it is not possible to

-In this mode of use it is not possible to control the playback from the speaker itself, being necessary to do it from the connected external player.

-The maximum volume depends directly on the power of the signal supplied by the transmitting device.

## Lighting Modes

Once your *Sunrise / Bloom Speaker* is turned on, you can choose the lighting mode you prefer. Press the On/Off button twice (double quick press) until the desired mode is selected.

## Charging the battery

---

When the battery level is below 10%, an audible alert will warn you. To recharge, connect the USB Type-C end of the USB cable (included) to the Type-C charging connector, and the other USB end to any other device with a USB port with 5V output (PC, USB wall charger, car charger, etc.). The LED located on the On/Off button will light red and when charging is complete, it will turn off.

The autonomy of the speaker is up to approximately 18 hours. This value depends on the volume level selected, the type of music played and the lighting mode chosen.

Charging time is approximately 2.5 hours.

### *Recommendations:*

- Use a 5V 2A AC/DC power adapter.
- Do not leave your *Sunrise / Bloom Speaker* for a long period of time with a completely discharged battery.

## Reset

---

You can force the device to shut down by pressing the reset button hidden inside the auxiliary audio input connector.

Note: Avoid using metallic elements when performing the reset.

## Warranty

---

You can check the warranty conditions [here](#).